

## Spare part pricelist for F1 chair

Valid from 1.1.2019



# FIMET

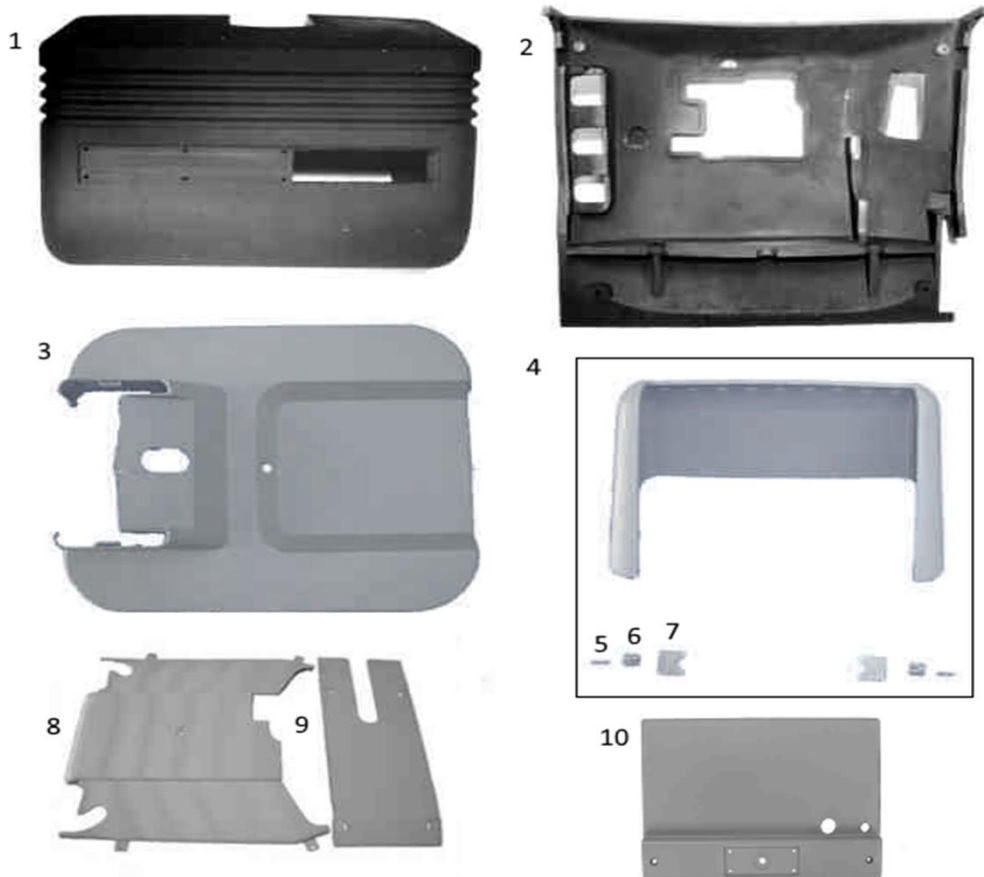
## Spare part pricelist for F1 chair

Item No	Order No	Name
1	F1UPHOLST0220	Back rest, simulated leather SOFT (Inform the color)
2	F1UPHOLST02	Seat upholstery, simulated leather, SOFT (Inform the color)
3	F1UPHOLBACLA	Back rest CLASSIC, simulated leather (inform color)
4	F1UPHOLSTCLA	Seat upholstery CLASSIC, simulated leather (inform
	F1COMFUHOLST	COMFORT upholstery



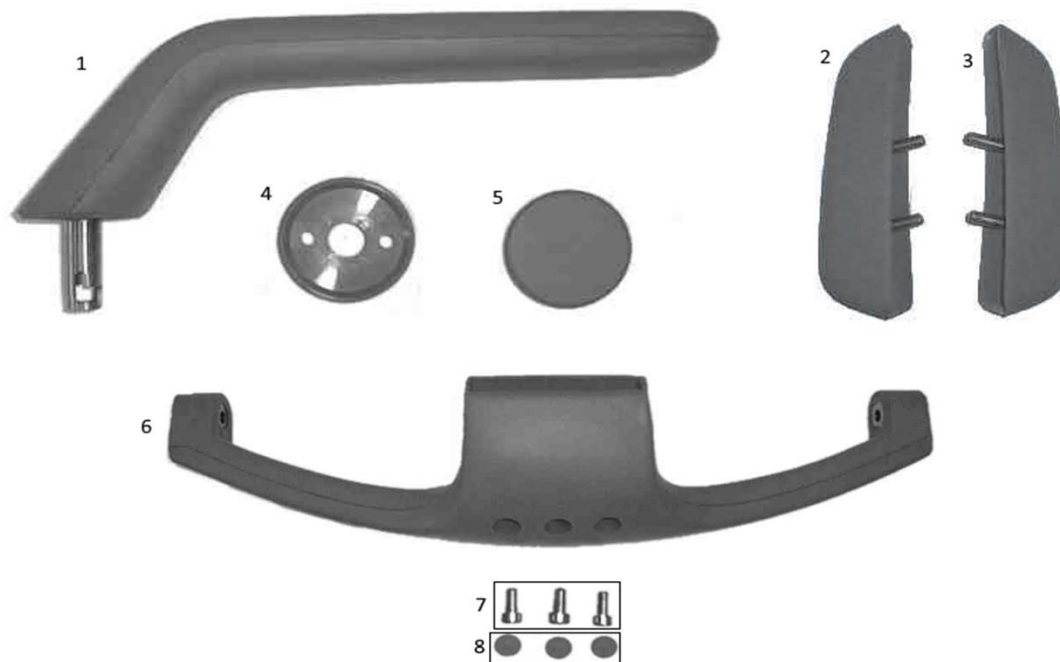
## Spare part pricelist for F1 chair

Item No	Order No	Name
1	59000560	Upper lift box, (Inform the color)
2	59000550	Lower seat cover, (Inform the color)
3	59200200	Base plate cover(Inform the color,one or two joystick)
3	59200200DJG	Base plate cover for double joystick GREY
3	59200200DJW	Base plate cover for double joystick WHITE
3	59200200DSJG	Base plate cover for doctor side joystick GREY
3	59200200DSJW	Base plate cover for doctor side joystick WHITE
3	59200200ASJG	Base plate cover for assistant side joystick GREY
3	59200200ASJW	Base plate cover for assistant side joystick WHITE
4	59200210	Base plate upper cover ( inform the color)
5	59203703	Chair base lock part male (Inform color grey or white)
6	59203702	Chair base lock part female (Inform color grey or white)
7	59203730	Fixing piece for bottom plate
8	59200240	Lift bar upper cover (inform the color )
9	59200250	Lift bar bottom plate ( inform the color)
10	59200220	Base plate service slit



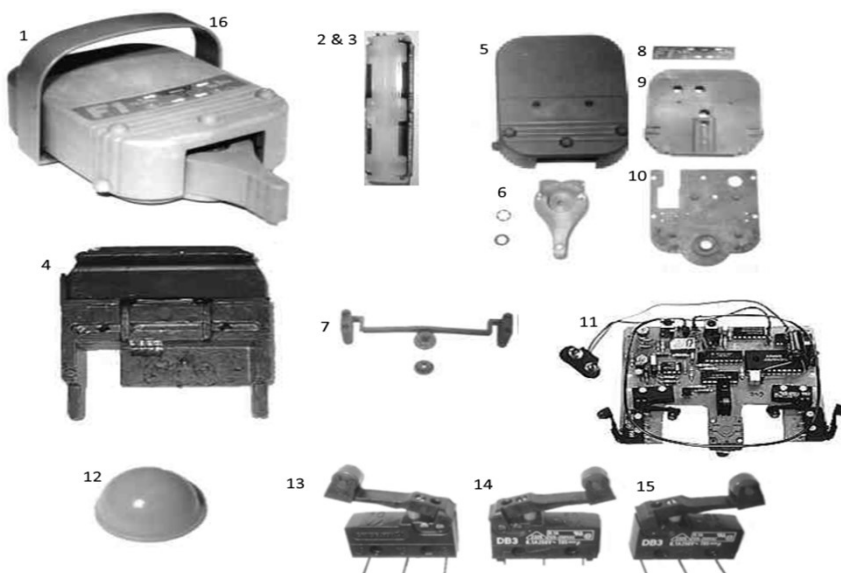
## Spare part pricelist for F1 chair

Item No	Order No	Name
1	59000161	Arm rest, left, (Inform the color)
1	59000170	Arm rest, right, (Inform the color)
1	F1ARMRST03	Arm rest simulated
1	F1ARMRUPHLST11	Arm rest simulated pair
2	59000180	Elbow support, left, (Inform the color)
3	59000190	Elbow support, right, (Inform the color)
4	59203630	Arm rest hole bushing
4	59203630X10SET	Arm rest hole bushing 10 pieces
5	59201011	Arm rest hole cover
5	59201011X10SET	Arm rest hole cover 10 pieces
6	59000020	Back rest pivot bar, (Inform the color)
7	97120820	Back rest bar fixing screws, 3 pcs
7	97120820X10SET	Back rest bar fixing screws, 3 pcs 10 pieces
8	59202441	Back rest bar fixing screw covers, 3pcs
8	59202441X10SET	Back rest bar fixing screw covers, 3pcs 10 pieces



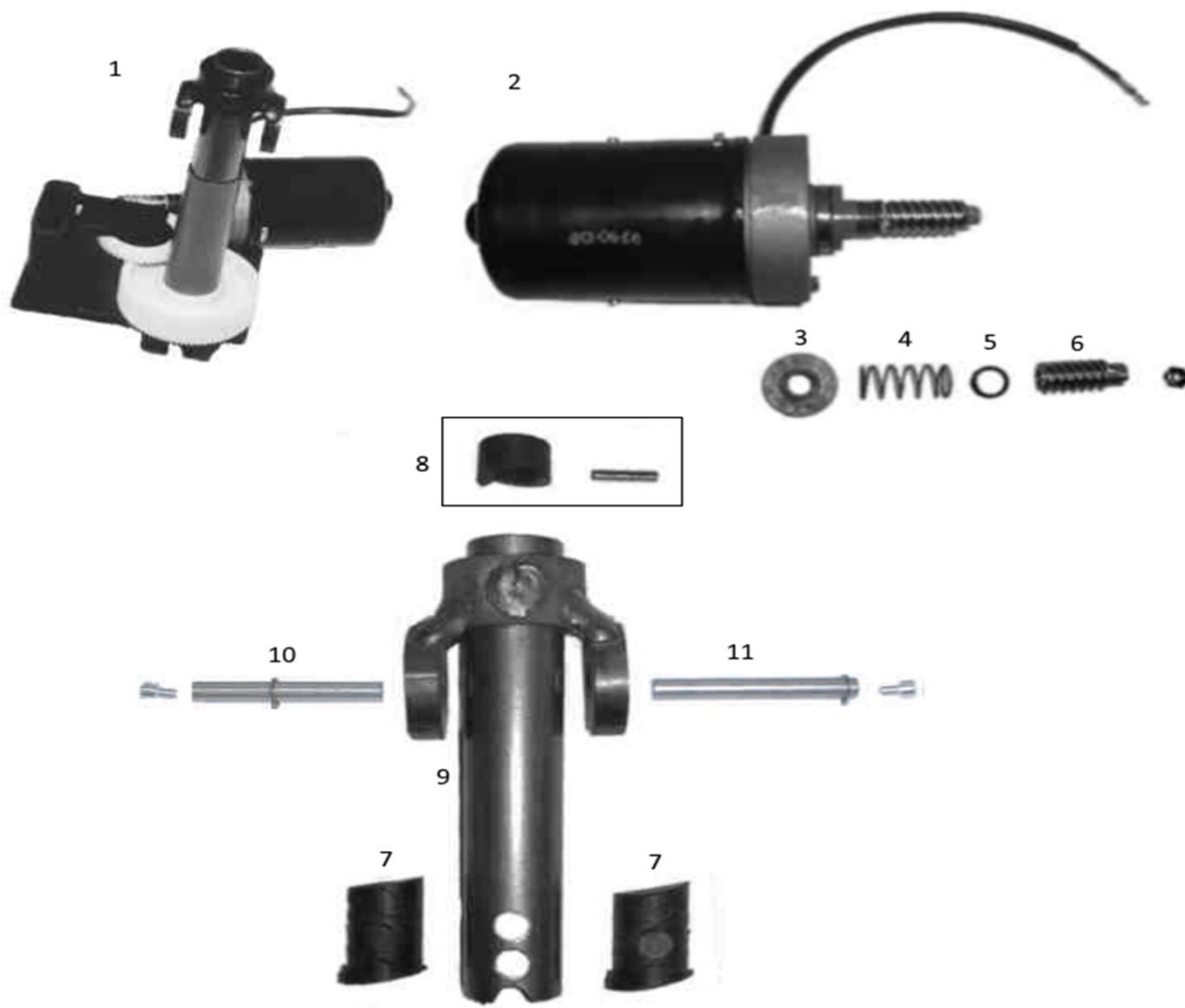
## Spare part pricelist for F1 chair

Item No	Order No	Name
1	F1FTCNTRL01G	Foot Control, complete, GREY
1	F1FTCNTRL01W	Foot Control, complete, WHITE
	F1FTCNTRL02	Foot Control, complete FC2
	F1FC2RECEIVER	FC2 receiver
2	76001100	Foot Control battery holder
2	76001100*10SET	Foot Control battery holder 10pieces
3	76502100X4	Foot Control batteries, 4 pcs
3	76502100410SET	Foot Control batteries, 4 pcs 10 pieces
4	FCLEAD	Foot Control, Lead Base
5	59200130	Foot control cover, (Inform the color)
6	59201180	Foot Control lever
7	59201151+3002	Foot Control lever spring + nut
7	5920 1151300210SET	Foot Control lever spring + nut 10 pieces
8	800120	Foot Control, adhesive, normal
8	800120X10SET	Foot Control, adhesive, normal 10 pieces
8	800160	Foot Control, adhesive ECO,
9	59201110	Foot Control, inner Plastic
10	59200030	Foot Control, base
11	71020	Foot Control pc-board
	71022	Foot Control pc-board FC2
12	800200	Foot Control, rubber button
12	800200X40SET	Foot Control, rubber button 40 pieces
13	76200021	Micro switch right
13	76200021X10SET	Micro switch right 10 pieces
14	76200020	Micro switch right
14	76200020X10SET	Micro switch right 10 pieces
15	76200022	Micro switch left
15	76200022X10SET	Micro switch left 10 pieces
	F36010	Foot Control bottomplate with hanger 3mm
	F36020	Foot Control bottomplate with hanger 8mm
16	59200150	Foot Control, hanger



## Spare part pricelist for F1 chair

Item No	Order No	Name
1	C11378	Lift motor with spindle, complete
1	F33000P	Lift motor with spindle, complete PRIME
2	77000001	Lift motor, motor only
3	59203640	Lift motors brake
3	59203640X10SET	Lift motors brake 10 pieces
4	97999160	Lift motor brake spring
4	97999160X10SET	Lift motor brake spring 10 pieces
5	59202463	Lift motor brake spring guidance washer
5	59202463*10SET	Lift motor brake spring guidance washer 10 pieces
6	F33010	Lift motor small spindle
7	5920236H	Axle nut halves, carbon fibre
7	5920236HX10SET	Axle nut halves, carbon fibre 10 pieces
8	59203600	Lift axle limiters
8	59203600X10SET	Lift axle limiters 10 pieces
9	F10000	Lift motor spindle tube
10	F30020	Lift motor fitting socket pin, left side, longer
10	F30020X10SET	Lift motor fitting socket pin, left side, longer 10pcs
11	F30010	Lift motor fitting socket pin, right side, shorter
11	F30010X10SET	Lift motor fitting socket pin, right side, shorter 10pcs



## Spare part pricelist for F1 chair

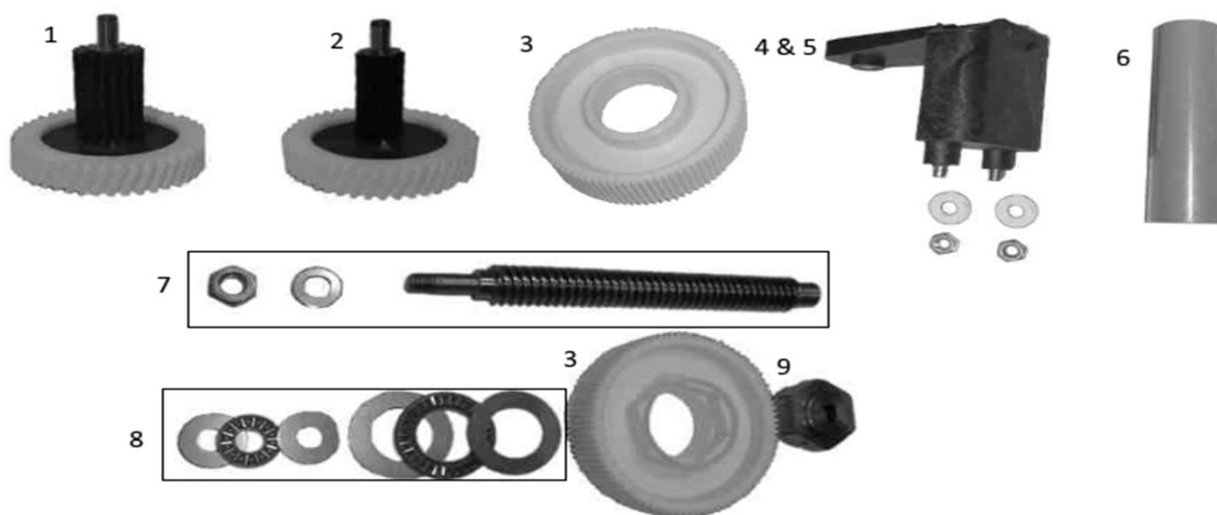
Item No	Order No	Name
1	F32000	Back rest motor with spindle, complete
2	77000001	Back rest motor, only
3	59203640	Back rest motor brake
3	59203640X10SET	Back rest motor brake 10 pieces
4	97999150	Back rest brake spring
4	97999150X10SET	Back rest brake spring 10 pieces
5	59202463	Back rest motor brake spring guidance washer
5	59202463X10SET	Back rest motor brake spring guidance washer 10pcs
6	F33010	Back rest motor small spindel
7	5920236N	Axle nut halves, Nylon
7	5920236NX10SET	Axle nut halves, Nylon 10 pieces
8	59203600	Lift axle limiters
8	59203600X10SET	Lift axle limiters 10 pieces
9	F32060	Back rest motor spindel tube
10	F30020B	Back rest motor fitting socket pin
10	F30020BX10SET	Back rest motor fitting socket pin 10 pieces
11	59203620	Back rest motor / pivot bar fixing piece
11	59203620X10SET	Back rest motor / pivot bar fixing piece 10 pieces





## Spare part pricelist for F1 chair

Item No	Order No	Name
1	59201222	Back rest motor gear wheel, small
1	59201222X10SET	Back rest motor gear wheel, small 10 pieces
2	59201221	Lift motor gear wheel, small
2	59201221X10SET	Lift motor gear wheel, small 10 pieces
3	59202340	Motor gear wheel, large
3	59202340X10SET	Motor gear wheel, large 10 pieces
4	59201121	Lift motor gear wheel holder
5	59201121	Back rest motor gear wheel holder
5	59201121X10SET	Lift/Back rest motor gear wheel holder 10 pieces
6	59201190	Lift motors axle protection tube
6	59201190X10SET	Lift motors axle protection tube 10 pieces
7	F32030	Motor spindel
8	FB1024	Motor spindel bearings
9	F32020	Spindel/Gearwheel nut





## Spare part pricelist for F1 chair

Item No	Order No	Name
1	F1HDCNTRL01	F1 Remote Hand control, complete
2	800150	Hand control keyboard adhesive tape
3	76502148	F1 Hand control's accumulator
4	F1HDCNTRL12	Hand control loading wire



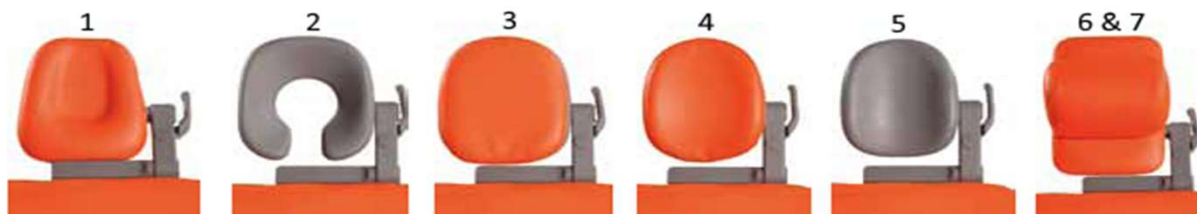
## Spare part pricelist for F1 chair

Item No	Order No	Name
1	F15000	Head rest, slide
2	F38000	Head rest, double pivoting lock
3	59202400	Double pivoting lock, handle
4	59202422-3	Double pivoting lock, tightening plates, 2 pcs
4	592024223X50SET	Double pivoting lock, tightening plates, 2 pcs 50pcs
5	F38020	Head rest, Lock square bolt
5	F38020X10SET	Head rest, Lock square bolt 10 pieces
6	97500103	Head rest, Lock nut, left-handed
6	97500103X10SET	Head rest, Lock nut, left-handed 10 pieces
7	97500100	Head rest, Lock nut, right-handed
7	97500100X10SET	Head rest, Lock nut, right-handed 10 pieces
8	59202421	Double pivoting lock, screw plates 2 pcs
8	59202421X10SET	Double pivoting lock, screw plates 2 pcs 10 pieces
9	59201171	Head rest, slide upper covers
9	59201171X10SET	Head rest, slide upper covers 10 pieces
10	59201172	Head rest, slide lower covers
10	59201172X10SET	Head rest, slide lower covers 10 pieces
11	59203650	Head rest, slide 2 friction pieces
11	59203650X10SET	Head rest, slide 2 friction pieces 10 pieces
12	33350130	Head rest, slide friction spring
12	33350130X10SET	Head rest, slide friction spring 10 pieces
13	59203610	Head rest, tightening tool
13	59203610X10SET	Head rest, tightening tool 10 pieces



## Spare part pricelist for F1 chair

Item No	Order No	Name
1	F1HEADRST04	Head rest Classic, (Inform the color)
2	59000080	Head rest, horse-shoe, (Inform the color)
3	F1HEADRST03	Inlay for horse shoe head rest
4	F1HEADRST01X	Removable soft cover for headrest
5	59000120	Head rest, standard, (Inform the color)
6	F1HEADRST051	Head rest, plate, (Inform the color)
7	F1HEADRST052	Head rest, triangle pillow
6 & 7	F1HEADRST091O	Plate headrest for magn. headrest

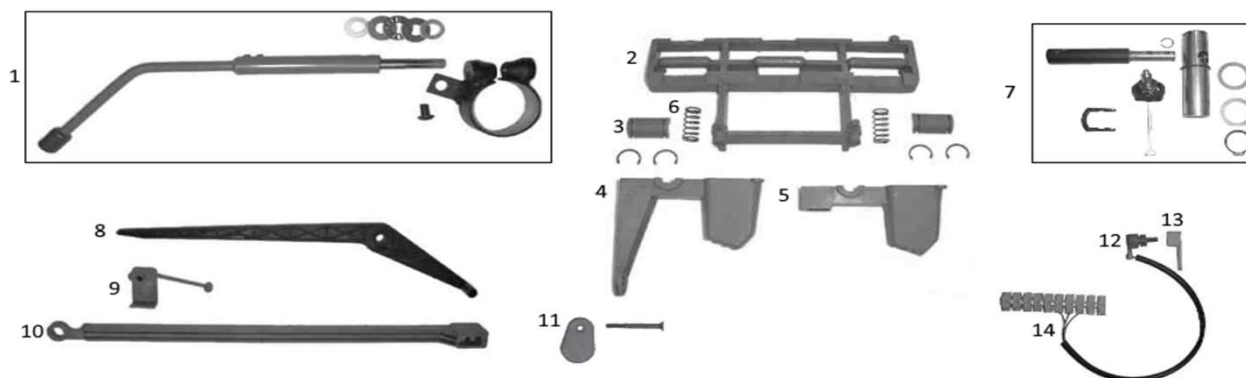


Item No	Order No	Name
7	59000140	Leg rest slide extension, (Inform the color)
8	59202431	Leg rest slide side nut, 4 pcs
1	F05000	Leg rest frame Soft (long)
2	F05005	Leg rest frame Classic (short)
3	59000140	Leg rest slide extension
4	59202431	Leg rest slide side nut, 4 pcs 10 pieces
4	59202431*10SET	Leg rest slide side nut, 4 pcs 10 pieces
5	33350090	Leg rest side nut spring, 2 pcs
5	33350090*10SET	Leg rest side nut spring, 2 pcs 10 pieces
6	59202432	Leg rest slide nut bottom, 4 pcs
6	59202432*10SET	Leg rest slide nut bottom, 4 pcs 10 pieces



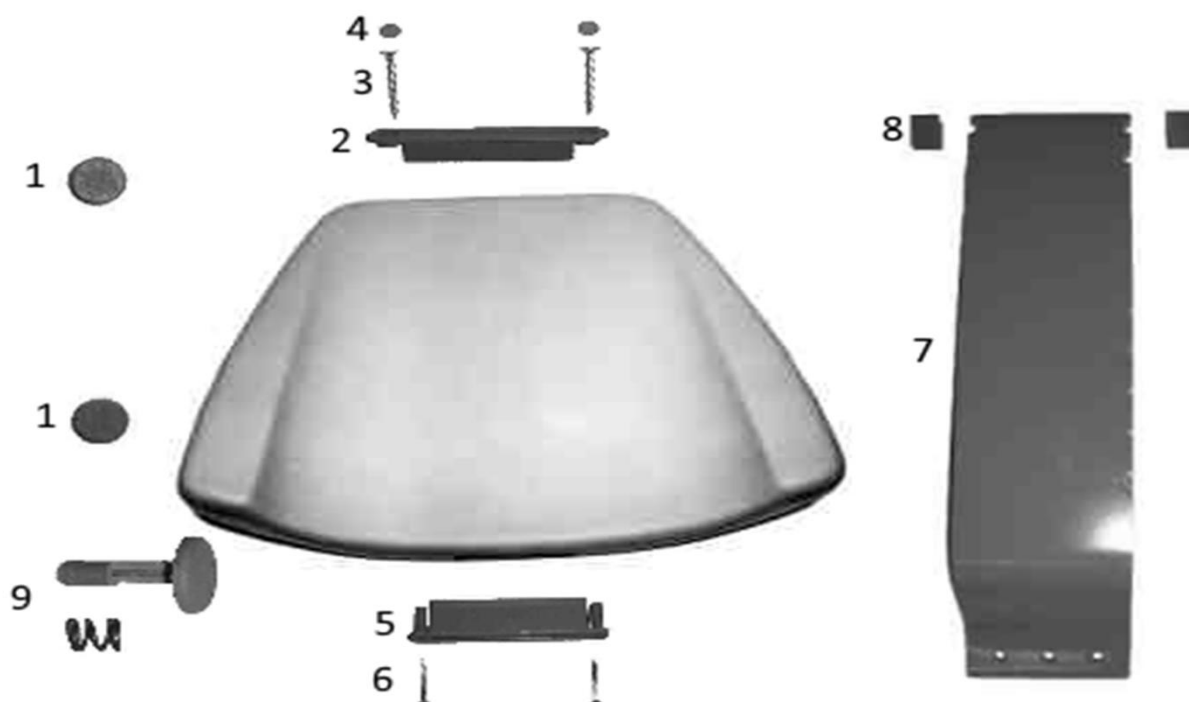
## Spare part pricelist for F1 chair

Item No	Order No	Name
1	F1SWIVEL	Swivel action lock mechanism
2	59200120	Positioning button holder
3	59202382	Positioning button hinge cover + seegers
3	59202382*10SET	Positioning button hinge cover + seegers 10 pieces
4	59202371	Seat angle positioning button
5	59202371S	Leg rest angle positioning button
6	33350060	Positioning button spring
6	33350060X10SET	Positioning button spring 10 pieces
7	F1SEATANGL	Seat angle locking mechanism
8	59200110	Leg rest adj. bar lifting rod
9	59201021	Leg rest adj. bar spring
9	59201021X10SET	Leg rest adj. bar spring 10 pieces
10	59200100	Leg rest adjustment bar
11	59201022	Leg rest adjustment bar fixing piece + screw
11	59201022X10SET	Leg rest adjustment bar fixing piece + screw 10pcs
12	71901022	Back rest potentiometer
12	71901022X10SET	Back rest potentiometer 10 pieces
13	59202390	Back rest potentiometer holder
13	59202390X10SET	Back rest potentiometer holder 10 pieces
14	FM06	Back rest potentiometer wire
15	71901022CO	Back rest potentiometer+wire+holder



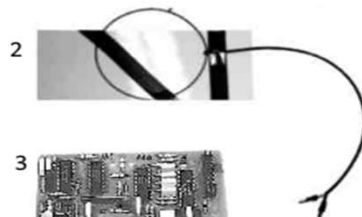
## Spare part pricelist for F1 chair

Item No	Order No	Name
1	59202442	Back rest, elbow support hole cover, 4 pcs
1	59202442X10SET	Back rest, elbow support hole cover, 4 pcs 10 pcs
2	59200050	Head rest slide plastic collar
2	59200050X10SET	Head rest slide plastic collar 10 pieces
3	97420550	Head rest plastic collar screws 2 pcs
3	97420550X10SET	Head rest plastic collar screws 2 pcs 10 pieces
4	59202443	Plastic collar screw covers 2 pcs
4	59202443X10SET	Plastic collar screw covers 2 pcs 10 pieces
5	59201061	Back rest bar plastic collar
5	59201061X10SET	Back rest bar plastic collar 10 pieces
6	97420430	Back rest bar plastic collar screws, 2 pcs
6	97420430X10SET	Back rest bar plastic collar screws, 2 pcs 10 pieces
7	F42010	Back rest fixing bar
8	59201062	Back rest fixing bar guides, 2 pcs
8	59201062X10SET	Back rest fixing bar guides, 2 pcs 10 pieces
9	59202300	Back rest, height adjustment nut + spring
9	59202300X10SET	Back rest, height adjustment nut + spring 10 pieces



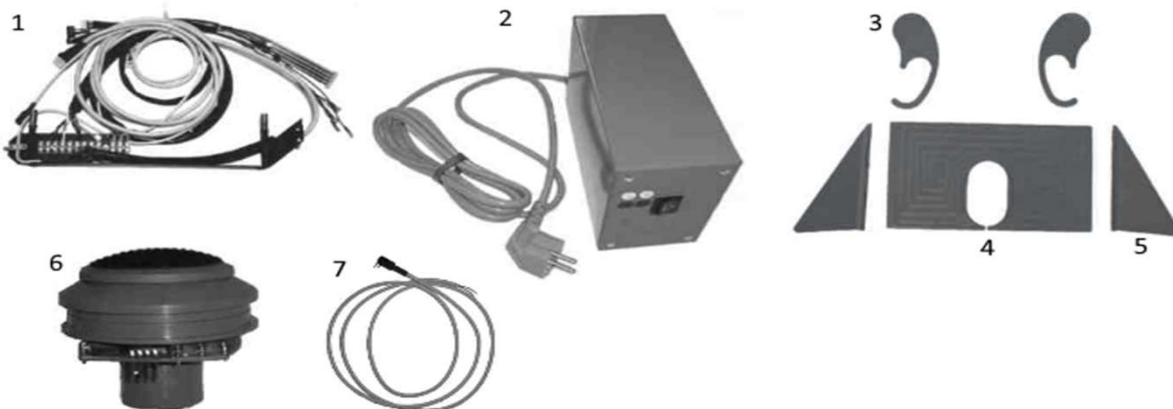
## Spare part pricelist for F1 chair

Item No	Order No	Name
1	71012	Chair main PC-Board
2	F40000	Chair antenna
3	72150	Unit adapter PC-Board
4	71050	Joystick adapter PC-Board
5	71040	Chair display / push button PC-Board
6	59200060	Chair display panel
7	800130	Chair display panel adhesive
8	F1JOYWIRE	Joystick adapter wire

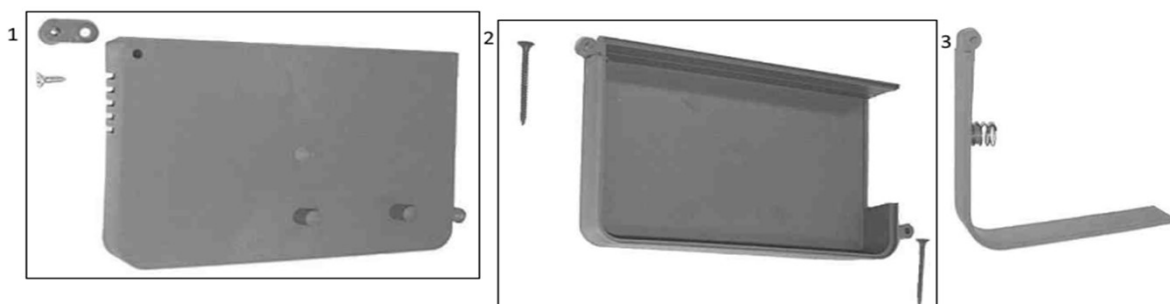


## Spare part pricelist for F1 chair

Item No	Order No	Name
1	FM05	Chair wire harness
2	PS150C1230	Transformer PS150C
3	59202330	Cantilever tube plastic covers, 2 pcs
4	59200020	Lift motor gear cover
5	59201141+2	Lift motor gear cover holders, 2 pcs
5	59201141+2X10SET	Lift motor gear cover holders, 2 pcs 10 pieces
6	F1FTCNTRL03	F1 Joystick foot control
	59201040	F1 joystick cover with rubber
7	78802050	F1 Foot control loading wire
7	78802050L	F1 Foot control loading wire 2,5m
7	78802050X10SET	F1 Foot control loading wire 10 pieces



Item No	Order No	Name
1	F59200010	Chair's PCB cover, Bottom
2	F59290080	Chair's PCB cover; Cover
3	F592000912	Chair's safety lever with spring





## Spare part pricelist for F1 chair

Item No	Order No	Name
1	F1BOTTOMPL01	Chair bottom plate
2	F1BOTTOMPL02	Chair bottom plate with rollers

**IMPORTANT NOTE:  
NEW ORDER PROCESSING AT FIMET**

**LOW-QUANTITY ORDERS:**  
Low-quantity surcharge of 35,00€ for orders with a net value order  
lower than 100€ .