

## Spare part pricelist for F1 unit

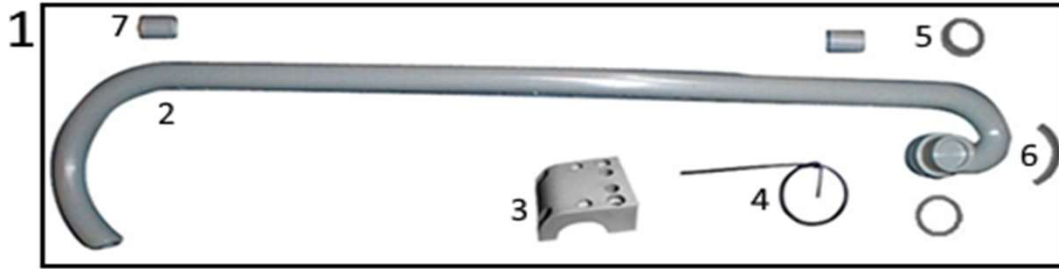
Item No    Order No    Name  
Valid 1.1.2019



# FIMET

## Spare part pricelist for F1 unit

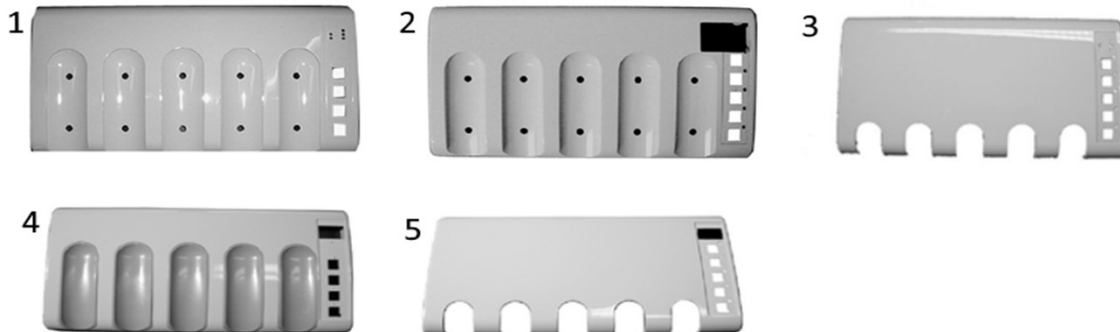
Item No	Order No	Name
1	99000074	Hose carrier assembly kit
2	59204120	Hose carrier
3	59204071	Hose carrier fixing , pieces with screw
4	97999020	Hose carrier spring
4	97999020X10SET	Hose carrier spring 10 pieces
5	59204450	Bearing
5	59204450X10SET	Bearing set 10 pieces
6	59204210	Hose cover
6	59204210X10SET	Hose cover 10 pieces
7	59205500	Holder tube



Item No	Order No	Name
2	59204110	Lay-down pillow
2	59204110X5SET	Lay-down pillow 5 pieces



Item No	Order No	Name
1	59100060M	Instrument bridges , upper cover
2	59100061M	Instrument bridges , upper cover with x-ray viewer
3	59100065M	Instrument bridges upper cover hanging hoses
4	59100062M	Instrument bridges upper cover for display
5	59100063M	Instrument bridges upper cover hanging hoses for display

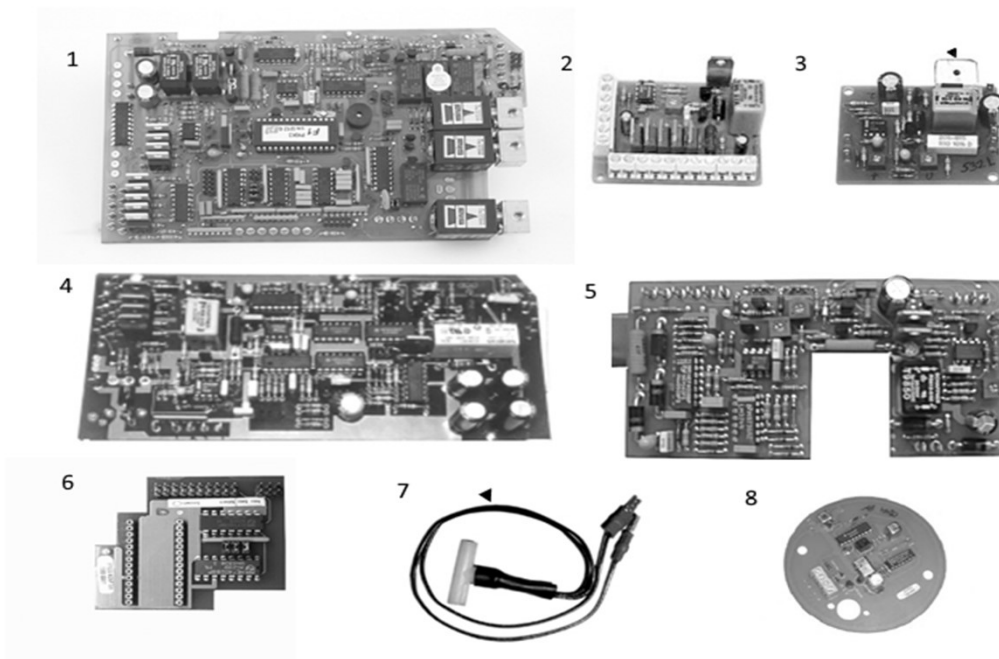


## Spare part pricelist for F1 unit

Item No	Order No	Name		
1	FM-28	Instr. selection , microswitch set		
2	76200020	Instr. selection , microswitch		



Item No	Order No	Name		
1	72012	Instrument bridge PCB		
2	72030	Light PCB		
3	72020	Instrument Light PCB, for A unit		
4	72370	SE-Instrument PCB , Micromotot for F1A or F1S Unit		
5	72390	SE-Instrument PCB, Micromotor for F1 HANDY unit		
6	72061	Adapter pcb for display		
7	73100	Sensor for SE PCB		
8	71080	Antenna PCB for Prime and Cart unit		

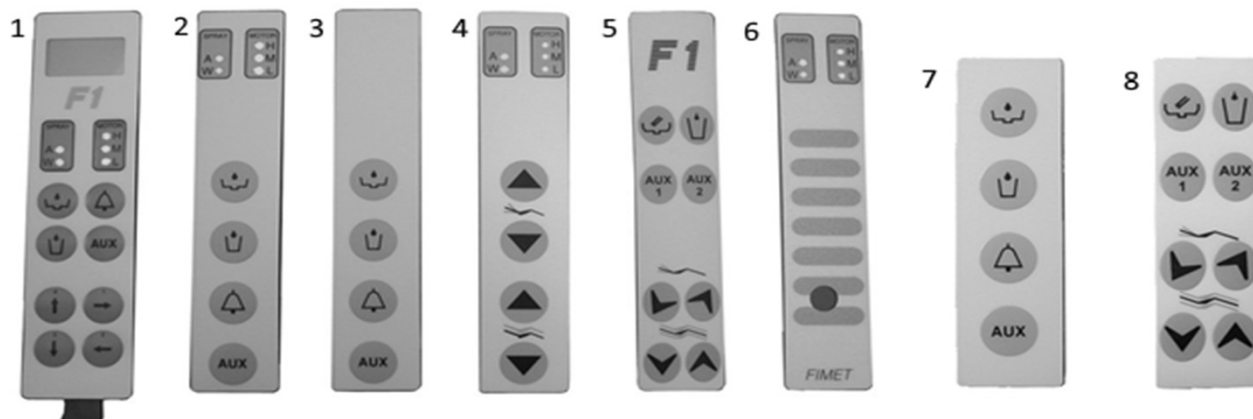


Item No	Order No	Name		
1	72360	A Trad. valve pcb with coil		
2	72430	A Trad. valve pcb complete with solenoid valve		

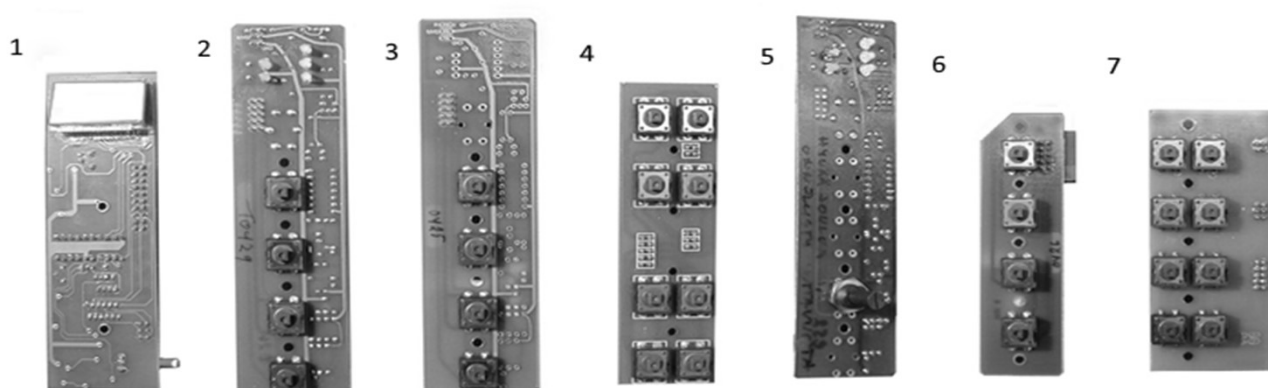


## Spare part pricelist for F1 unit

Item No	Order No	Name		
1	3333840DP	Folio for finger touch panel with display and chair control E-unit		
2	3333400	Folio for fingertouch , panel, E unit		
3	3333410	Folio for fingertouch , panel, A unit		
4	3333406	Folio for finger touch panel with chair control E-Unit		
5	32323202	Folio for finger touch panel with chair control A-Unit		
6	3333430G	Folio for finger touch panel podiatry Unit G		
7	3333420	Folio for finger touch panel suction head		
8	32323201	Folio for finger touch panel chair control from suction head		
	3333422	Folio for finger touch panel Mondo/Europa suction head		

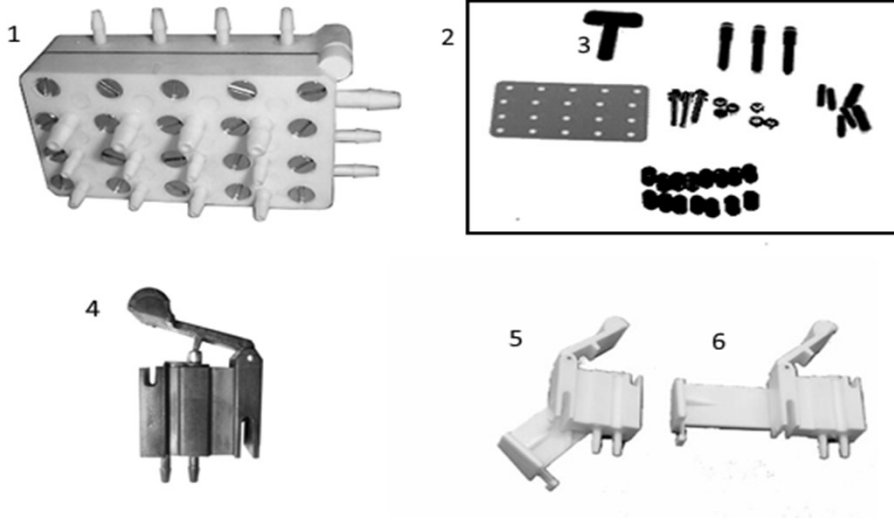


Item No	Order No	Name		
1	72060	Finger touch panel PC-Board with display E-Unit		
2	72050	Finger touch panel PC-Board Instr. E-Unit		
3	72040	Finger touch panel PC-Board Instr. A-Unit		
4	72175	Finger touch panel PC-Board Instr. with chair control		
5	72050G	Finger touch panel PC-Board with potentio meter		
6	72100	Finger touch panel PC-Board for suction head		
7	72111	Finger touch panel PC-Board with chair cont.suc.head		
	72650	Finger touch panel PCB for led x-ray suction head		



## Spare part pricelist for F1 unit

Item No	Order No	Name		
1	3333900	Pneumatical block		
2	99000001	Service kit for , Pneumatical block		
2	99000001X5SET	Service kit for pneumatical block 5 pieces		
3	59204204	Blocks adjustment key		
3	59204204X10SET	Blocks adjustment key 10 pieces		
4	3333740	Pneumatical switch, old type		
4	3333740X5SET	Pneumatical switch, old type 5pcs		
5	3333740S	Pneumatical switch short leg		
6	3333740L	Pneumatical switch long leg		

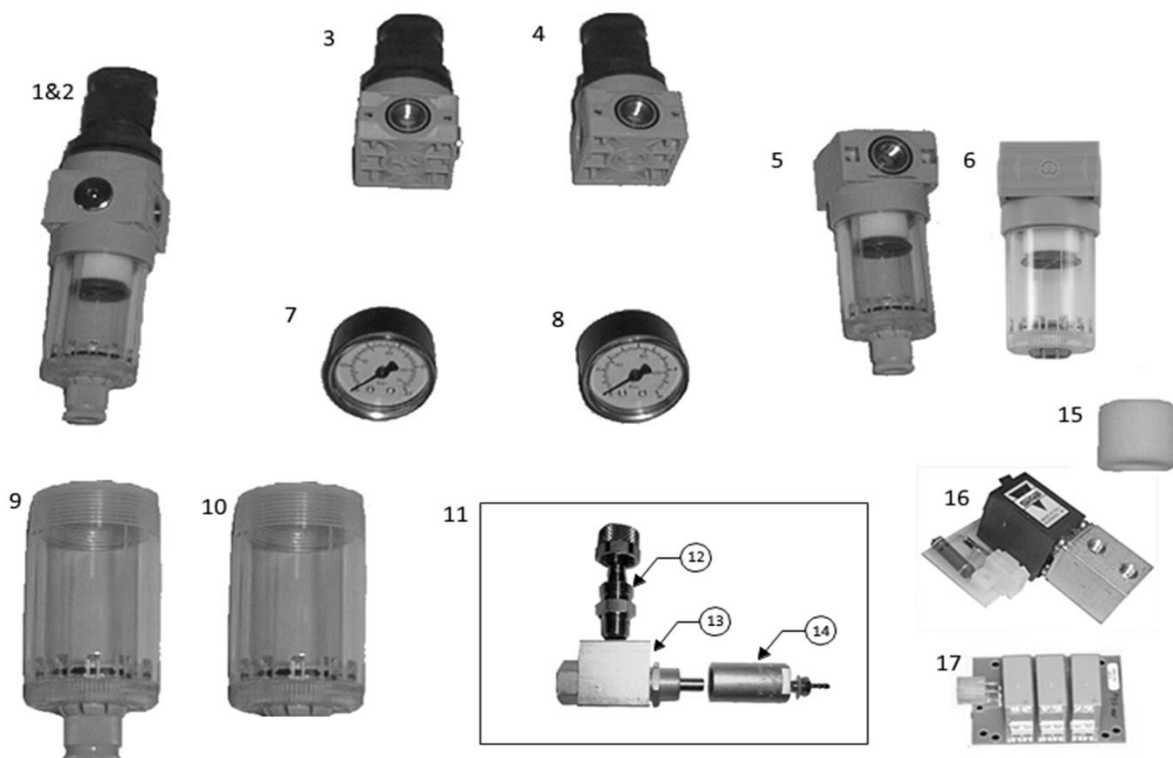


Item No	Order No	Name		
1	3333350	Pneumatic/electric , signal convertter		
2	AP1601	Anti retraction valve		
3	3333220	Air controlled water , valve for A unit		
4	3333280	Main air switch, , On / Off, A unit		
5	3333290	Needle valve		
6	SIE260	Air micro switch for , hanging hoses		



## Spare part pricelist for F1 unit

Item No	Order No	Name		
1	3333255	Pressure regulator + , filter for air		
2	3333265	Pressure regulator + , filter for water		
3	3333250	Pressure regulator for , air		
4	3333260	Pressure regulator for , water		
5	3333270	Filter for air		
6	3333272	Filter for water		
7	3333120	Pressure gauge , 0 - 2,5 bar		
8	3333130	Pressure gauge , 0 - 10 bar		
9	3333270C	Filter cup for air		
10	3333272C	Filter cup for water		
11	3333100K1	Clippard 2-way valve assembled for water		
11	3333100K2	Clippard 2-way valve assembled for air		
12	3333603	Connector		
13	3333100	Clippard 2-way valve		
14	3333110	Clippard valve control , part		
15	3333273	Filter cartridge		
15	3333273X10SET	Filter cartridge 10 pieces		
16	72380	main Air/Water valve PCB		
16	72380K	main Air/Water valve PCB, with tubes		
17	72120	Relay pcb		



## Spare part pricelist for F1 unit

Item No	Order No	Name		
1	59204590K2	Air regulator package complet 3-regulator+filter+clippard for floorbox		
2	59204590K1	Water regulator package complet 2-reg.+filter+clippard for floorbox		
3	59204590	Assembly rack for , pressure regulator		



## Spare part pricelist for F1 unit

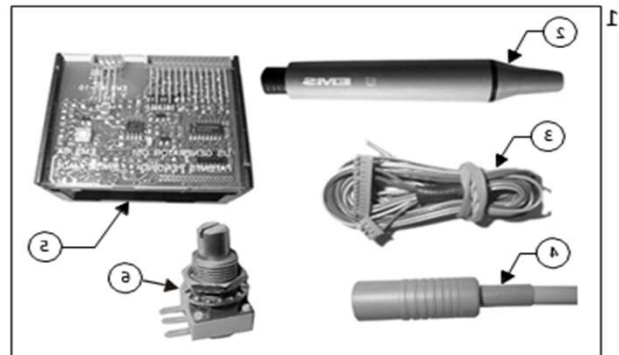
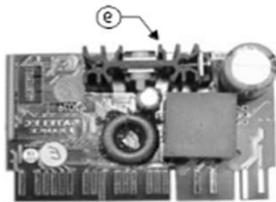
Item No	Order No	Name		
1	LZ105	3-way syringe LUZZANI, angled		
1	LZ160	6-way syringe "sleeve only", Luzzani,angled		
1	LZ110	6-way syringe LUZZANI , straight		
1	LZ170	6-way syringe "sleeve only", Luzzani, straight		
2	LZ106	3-way syringe LUZZANI, straight		
2	LZ140	6-way syringe LUZZANI , angled		
3	LZ145	6-way syringe LUZZANI , angled INOX		
3	LZ165	6-way syringe "sleeve only", Luzzani,angled INOX		
3	LZ115	6-way syringe LUZZANI , straight INOX		
3	LZ175	6-way syringe "sleeve only", Luzzani, straight INOX		
4	LZ172	Handpiece nut for , LUZZANI tip		
4	LZ172X10SET	Handpiece nut for LUZZANI tip 10 pieces		
5	LZ171	Handpiece tip for , LUZZANI syringe		
5	LZ171X10SET	Handpiece tip for LUZZANI syringe 10 pieces		
6	LZ120	6-way syringe LUZZANI,, light PCB		
7	LZ121	LUZZANI light PCB		
8	FO110	3-way syringe FOREST, , Straight		
9	FO120	3-way syringe FOREST, , Angled		
10	FO200	Tip for FOREST Syringe		
10	FO200X5SET	Tip for FOREST Syringe 5 pieces		
11	DC200	DCI syringe sleeve only straight		
12	DC210	DCI syringe sleeve only angled		





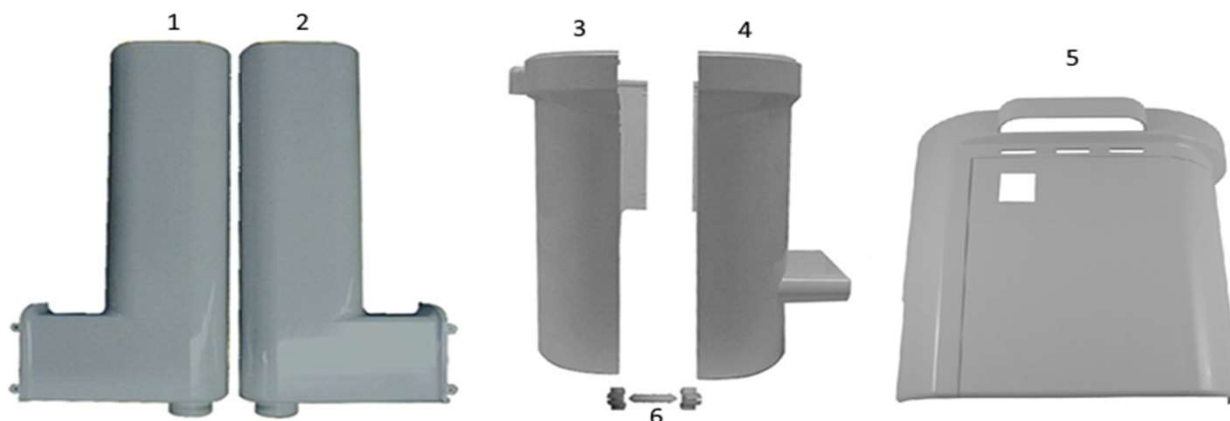
## Spare part pricelist for F1 unit

Item No	Order No	Name		
1	EM100	EMS Scaler complete		
2	EM110	EMS Scaler hand piece		
3	EM131	EMS wire harness		
4	EM111	EMS hose		
5	EM130	EMS PC-Board		
6	EM132	EMS potentiometer		
7	SA181	Satelec scaler handpiece no lux		
8	SA182	Satelec scaler handpiece with lux		
9	SA165	Satelec scaler PC-Board		

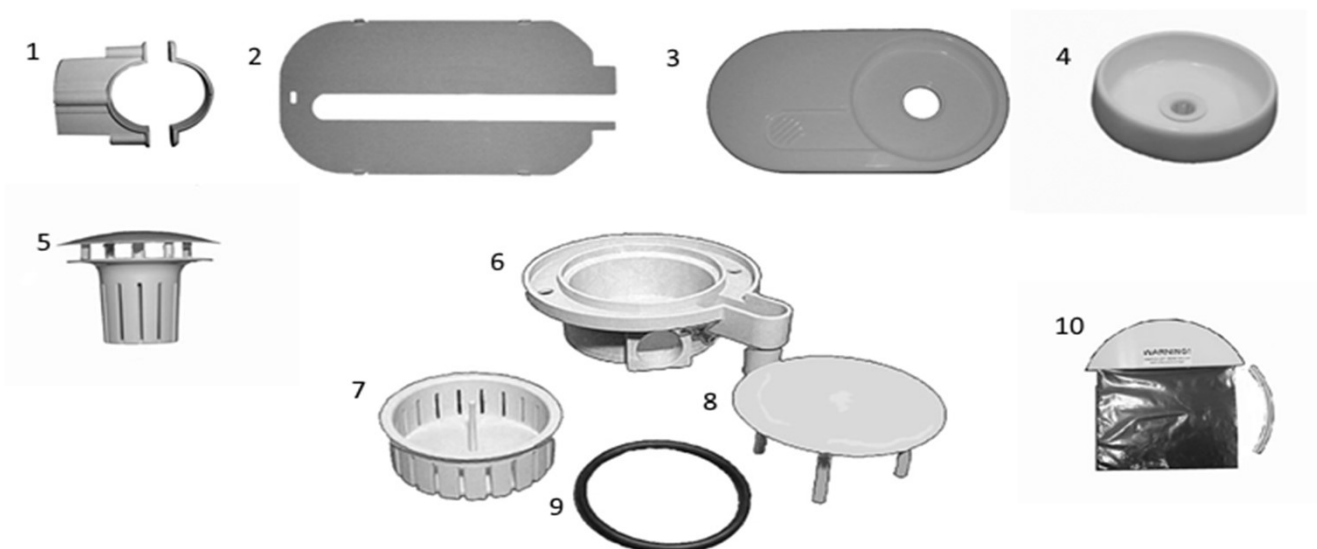


## Spare part pricelist for F1 unit

Item No	Order No	Name		
1	59204732M	Light pole cover, chair side		
2	59204731M	Light pole cover, suction side		
3	59204722M	Cuspidor, chair side		
4	59204721M	Cuspidor, suction side		
5	59204721OM	Cuspidor, suction side with door		
6	592046812	Cuspidor side connector , set		

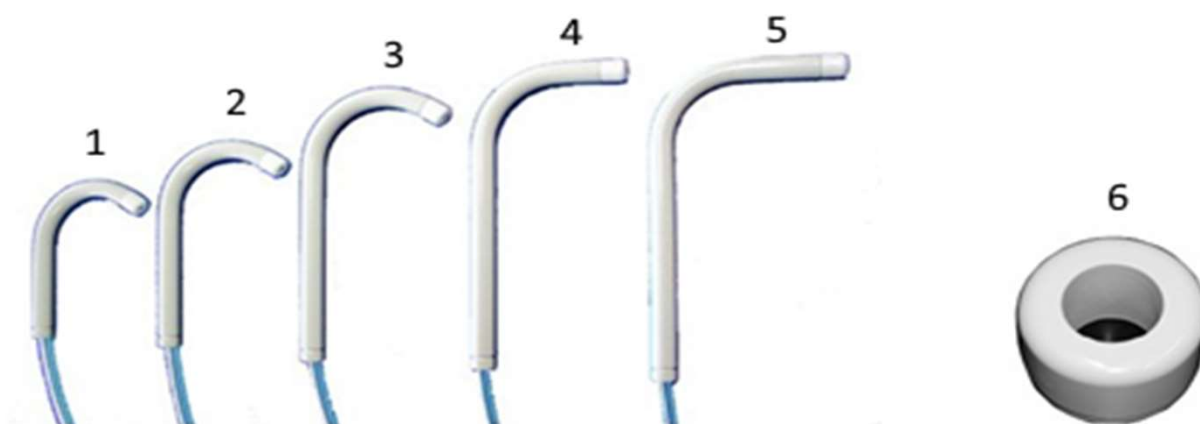


Item No	Order No	Name		
1	592047012	Light pole cover holder , pieces		
2	FULEVY52	Unit bottom cover		
3	3333390	Spitooon Bowl		
4	3333395	Additional spitooon bowl, included filter+filter cover		
5	PINN1000	Additional bowl filter+cover		
6	59204150	Bowl filter frame		
7	59204280	Bowl filter		
8	59204290	Bowl filter cover		
9	OR6004	O-ring for bowl filter		
9	OR6004X10SET	O-ring for bowl filter set 10 pieces		
10	59204914	Splash water cover set		

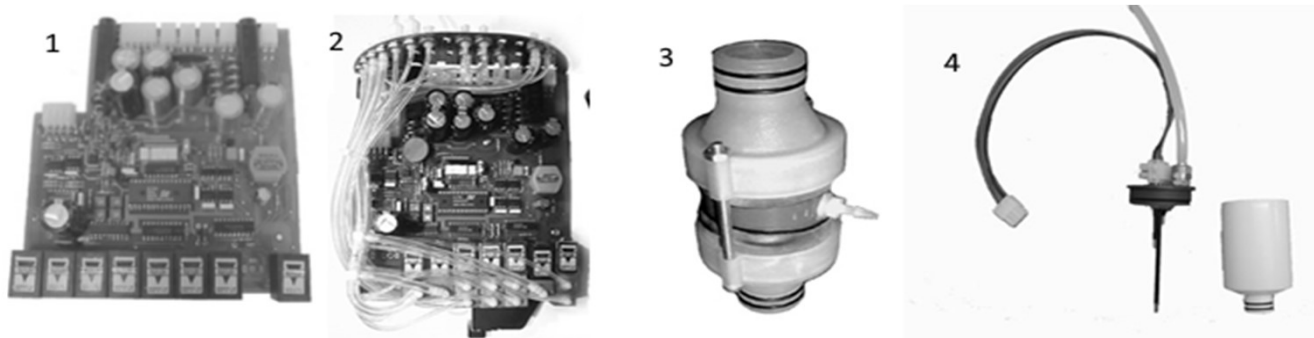


## Spare part pricelist for F1 unit

Item No	Order No	Name		
1	FU20315	Bowl flush tube		
2	FU20325	Bowl flush tube for Mario bowl		
3	FU20327	Bowl flush tube for additional bowl		
4	FU20310	Glass filling tube		
5	FU20320	Glass filling tube for Mario bowl		
6	FU10370	Armless unit pole plug		

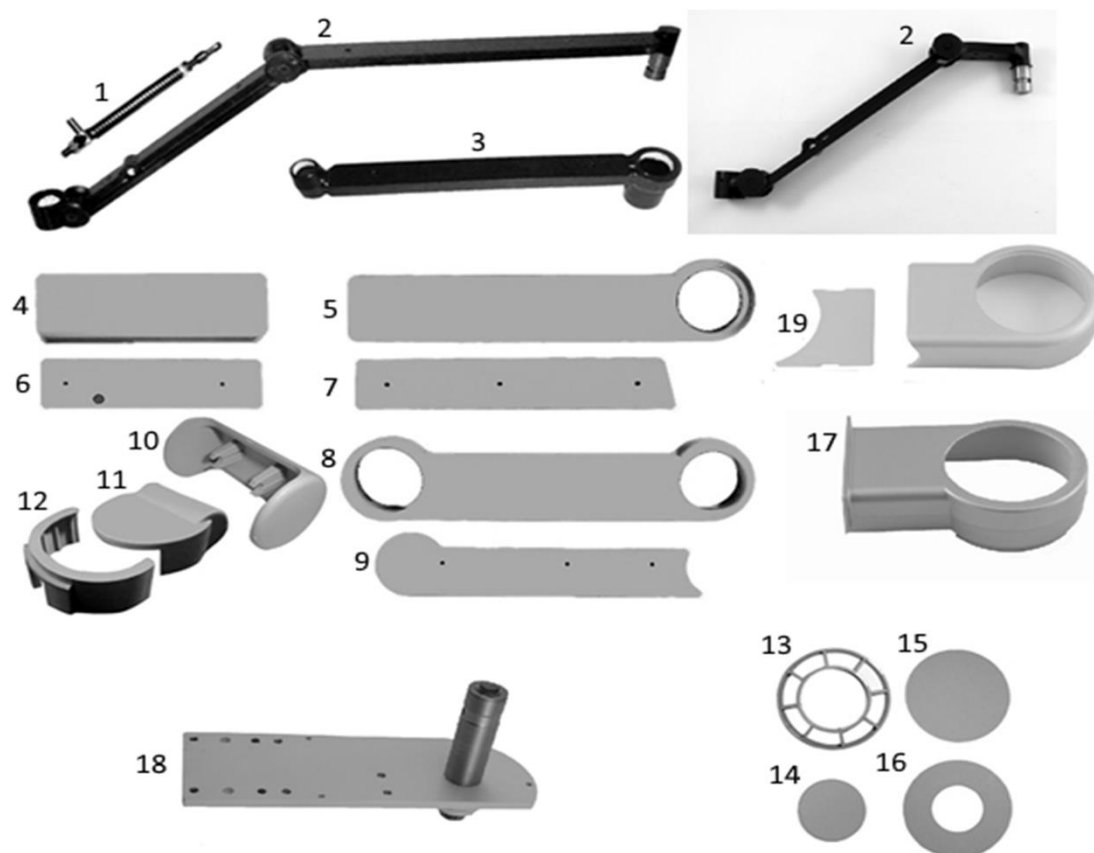


Item No	Order No	Name		
1	7242034	Cuspidor PCB, 34		
2	CE72420	Pneumatic center since		
3	FU25000	Selective valve		
3	FU25000X10SET	Selective valve 10 pieces		
4	BS10000	Bowl water level sensor		



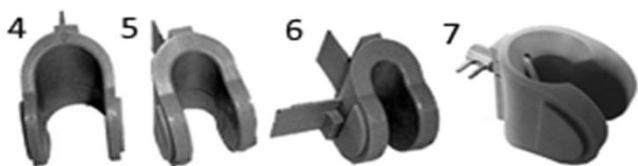
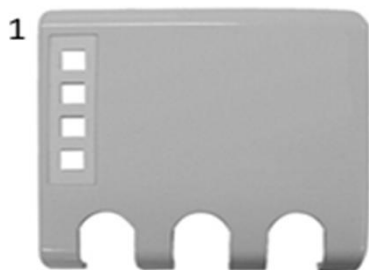
## Spare part pricelist for F1 unit

Item No	Order No	Name		
1	FU7000	spring, complete		
2	FU 6500L/S	2nd+3rd instrument arm, L=Long arm S=Short arm		
3	FU 6100	1 st instrument arm		
4	59100040M	3rd plastic cover for , instrument arm		
5	59100030M	2nd plastic cover for , instrument arm		
6	FU6465	lower cover for 3rd arm		
7	FU6325	lower cover for 2nd arm		
8	59100020M	1st plastick cover for , instrument arm		
9	FU6120	lower cover for 1st		
10	59204080	arm joint plastic cover		
11	59204091	arm joint plastic cover, outer		
12	59204380	arm joint plastic cover , inner		
12	59204380X10SET	arm joint plastic cover inner set 10 piece		
13	59204000	wire harness deflector		
13	59204000X10SET	wire harness deflector 10 pieces		
14	59204060	plastic cover for Evasept		
14	59204060X10SET	plastic cover for Evasept set 10 pieces		
15	59204623	plastic cover 2nd arm , joint		
15	59204623X10SET	plastic cover 2nd arm joint set 10 pieces		
16	59204622	plastic cover for lamp , pole		
16	59204622X10SET	plastic cover for lamp pole set 10 pieces		
17	59204492	plastic cover support		
17	59204492X10SET	plastic cover support set 10 pieces		
18	59204493	plastic cover support		
18	59204493X10SET	plastic cover support set 10 pieces		
19	59100031M	Short 2nd arm plastic cover+bottom plate+holders		



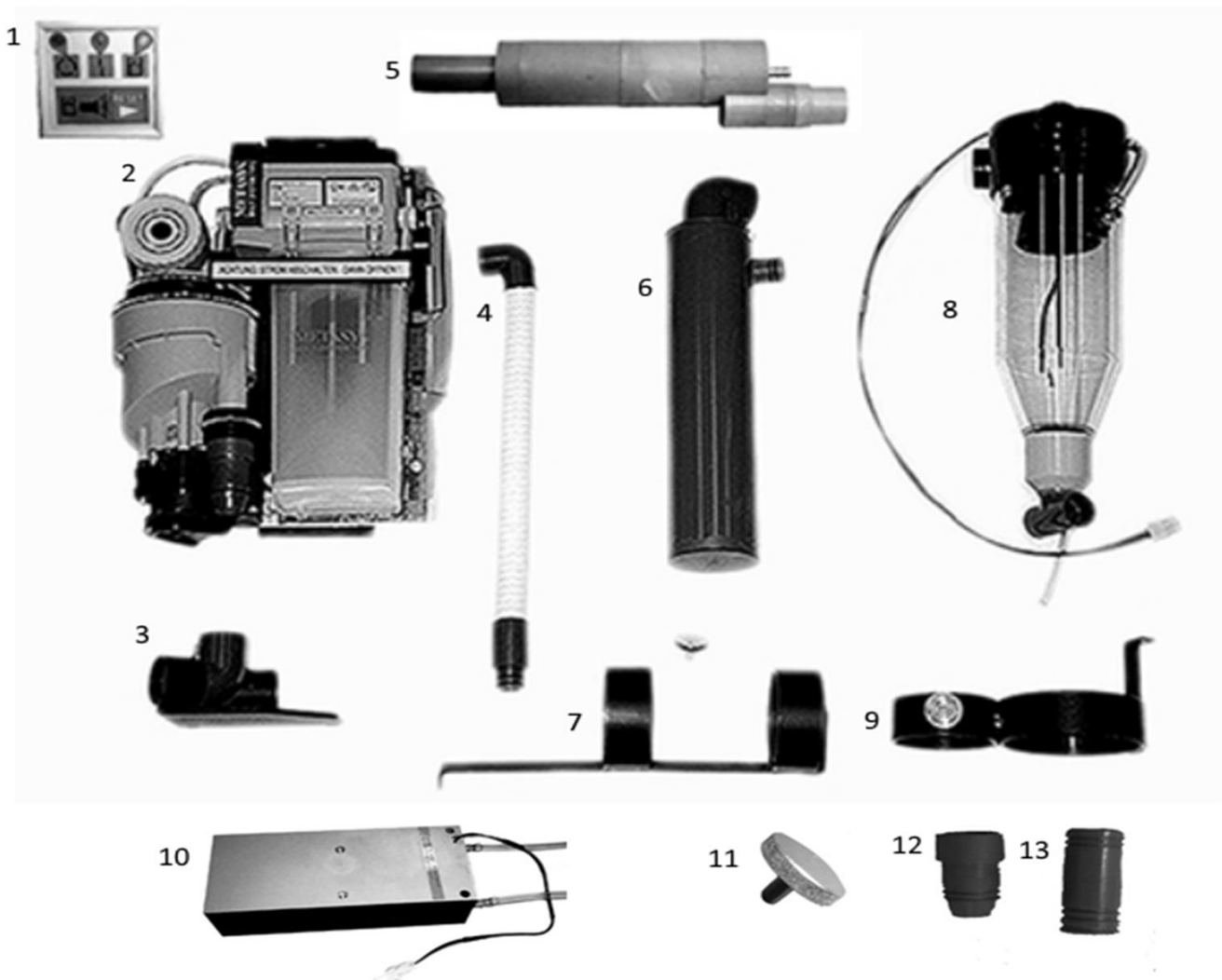
## Spare part pricelist for F1 unit

Item No	Order No	Name		
1	59100101M	Suction bridges cover		
2	59100090M	Suction bridges bottom		
3	F1CSUCARM	Suction head Mondo/Europa		
4	59204171	Suction hose holder big		
4	59204171X10SET	Suction hose holder big 10 pieces		
5	59204172	Suction hose holder , medium		
5	59204172X10SET	Suction hose holder medium 10 pieces		
6	59204173	Suction hose holder small		
6	59204173X10SET	Suction hose holder small 10 pieces		
7	59204173HO	instr. hose holder , Traditional, Air switch		
8	FM-2003	Cable from unit to suction, arm (F1 Advanced suct. arm)		
9	59204100	Handle		



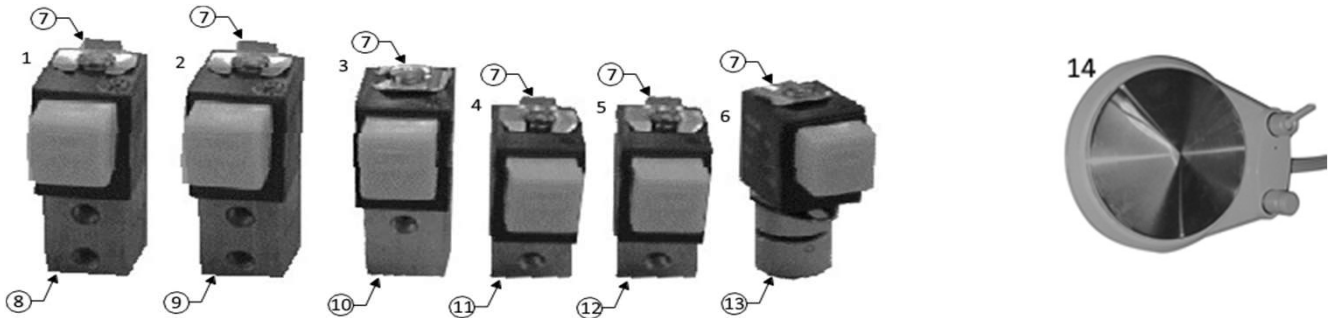
## Spare part pricelist for F1 unit

Item No	Order No	Name		
1	ME111	Metasys control panel		
2	ME110	Metasys		
3	FU24100	Metasys drain/suction , connector		
4	FU16250	Suction hose for Metasys		
5	F1AIRVENT	F1 air ejector		
6	F1FILTER	F1-filter , (Cattani or Dürr)		
7	FU23200	F1-filter holder		
8	CA100	Cattani air/water , separator		
9	FU19100	holder for Cattani , separator and F1 filter		
10	FU26100	Water heater, FIMET		
11	97370612	locking screw		
11	97370612X10SET	locking screw 10 pieces		
12	FU17305	Metasys connector, Drain		
13	FU17315	Metasys connector, Suction		

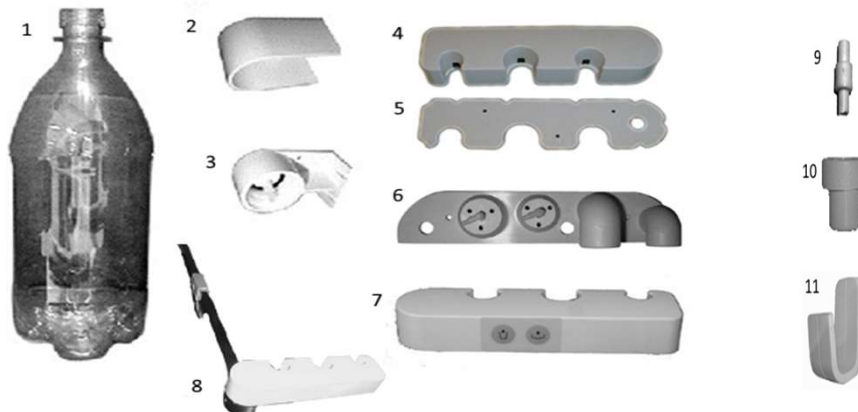


## Spare part pricelist for F1 unit

Item No	Order No	Name		
1	76700008	Sirai 3-way valve , complete (V365B01C) NC		
2	76700009	Sirai 3-way valve , complete (V365B01A) NO		
3	76700010	Sirai valve 2-way , complete (V265) NO		
4	76700006	Sirai valve 2-way , complete (V165) NC		
5	76700007	Proportional valve , complete (V113)		
6	76700011	Sirai pinch valve , complete for Steri flow (S104)		
7	76700006C	Sirai valve coil (Z030A)		
8	76700008V	Sirai 3-way valve , (V365B01C) NC		
9	76700009V	Sirai 3-way valve , (V365B01A) NO		
10	76700010V	Sirai valve 2-way , (V265) NO		
11	76700006V	Sirai valve 2-way , (V165) NC		
12	76700007V	Sirai proportional valve , (V113)		
13	76700011V	Sirai pinch valve for , Steri flow (S104)		
14	FO100	Pnematical foot control , for Air unit		

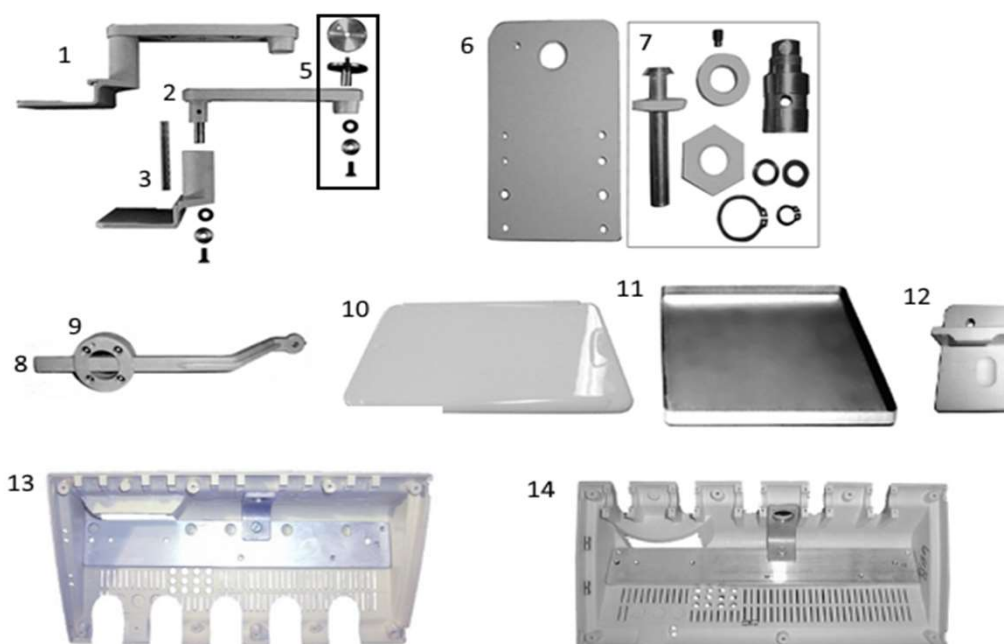


Item No	Order No	Name		
1	32322301	clean water bottle, 1 l		
2	59204781	clean water bottle , holder cover		
3	59204782	clean water bottle holder		
4	59204481	suction head S model		
5	59204482	suction head bottom , plate S model		
6	59204740	suction hose holder at , cuspidor side		
7	F1SSUCARM	Suction arm, Type: Conventional		
8	F1SSUCARMB	Suction arm with button , complete		
9	CA130	suction reduction gear, , small		
9	CA130X10SET	suction reduction gear, , small 10 pieces		
10	59204390	suction reduction gear, , big		
10	59204390X10SET	suction reduction gear, , big 10 pieces		
11	59204271	suction hose holder		
11	59204271X10SET	suction hose holder 10 pieces		



## Spare part pricelist for F1 unit

Item No	Order No	Name		
1	F1TRAY07H	Swivel alutray holder		
2	59204631	Swivel arm		
3	59204733	Tray holder upper part		
4	59204632	Tray holder lower part		
5	FU6700C	Swivel holder fixing, , complete		
6	FU4130	Instr. bridge junction , plate		
7	FU4100C	Instr. bridge junction , axle system		
8	59204256C	Tray's joint piece		
9	FU6712	Tray's arm		
9	FU6910	Urethane tray's arm , complete		
10	59100070	Tray urethan		
11	59204361	Aluminium tray's holder		
12	3333670	Tray aluminium		
13	59100050M	Bottom frame of the , instrument bridge		
14	59100055M	Bottom frame of the hanging hose instrument bridge		



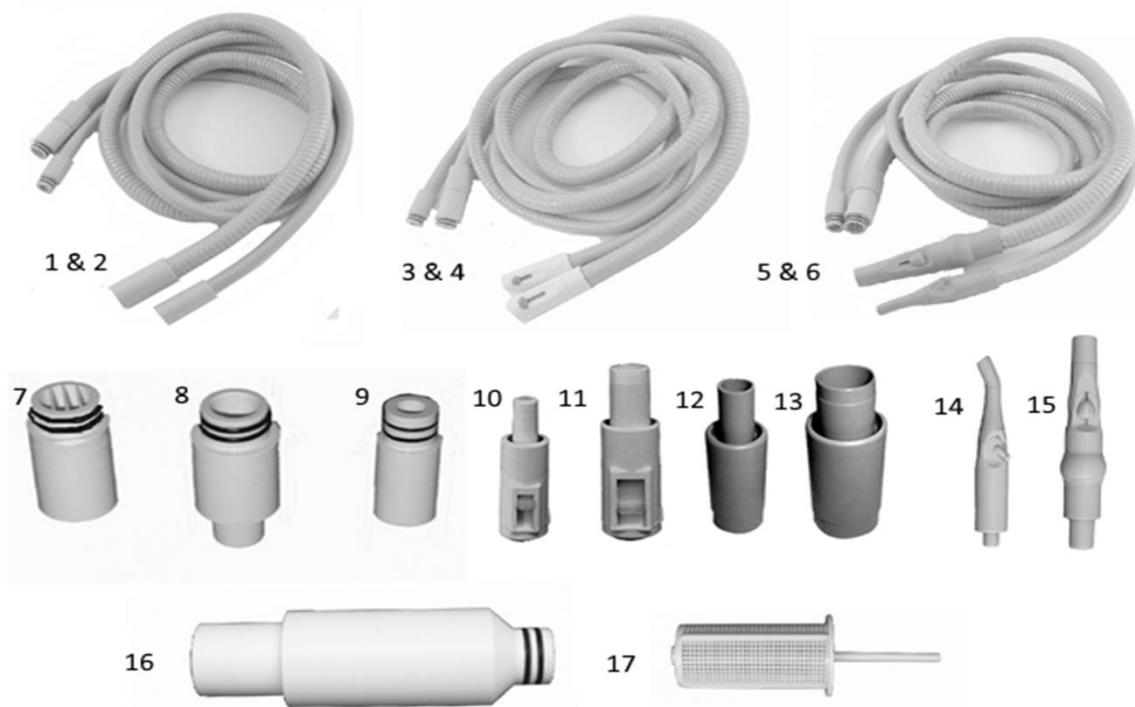
Item No	Order No	Name		
1	3333440	Silicon cover for , instrument bridge Cont.		
2	3333445	Silicon cover for , instrument bridge Trad.		
3	3333450	Silicon cover suction , bridge		
4	FU4505B	Exhaust oil bottle holder		
4	FU4505BX10SET	Exhaust oil bottle holder 10 pieces		
5	59204762	Exhaust oil bottle tube		
5	59204762X10SET	Exhaust oil bottle tube 10 pieces		
6	PULLO002	Exhaust oil bottle		
6	PULLO002X10SET	Exhaust oil bottle 10 pieces		





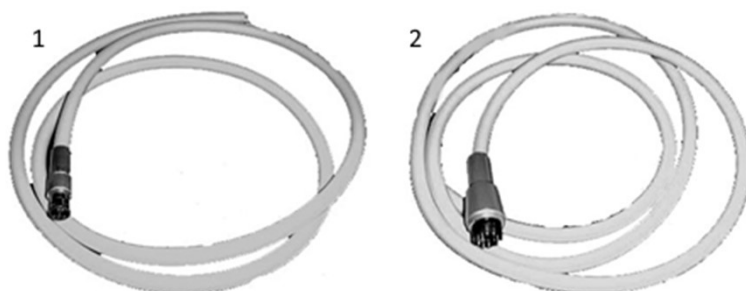
## Spare part pricelist for F1 unit

Item No	Order No	Name		
1	99000009	Suction hose, big with , filter		
2	99000010	Suction hose, small		
3	99000011	Suction hose small with Cattani handpiece		
4	99000012	Suction hose big with Cattani handpiece		
5	99000013	Suction hose big with DÜRR handpiece		
6	99000014	Suction hose small with DÜRR handpiece		
7	59205471W	Big suction hose end , piece with rough filter white		
7	59205471G	Big suction hose end , piece with rough filter grey		
7	59205471WX10	Big suction hose end , piece with rough filter 10 pieces, white		
7	59205471GX10	Big suction hose end , piece with rough filter 10 pieces, grey		
8	59205241W	Big suction hose end , piece white		
8	59205241G	Big suction hose end , piece grey		
8	59205241WX10	Big suction hose end , piece 10 pieces, white		
8	59205241GX10	Big suction hose end , piece 10 pieces, grey		
9	59205242W	Small suction hose end , piece white		
9	59205242G	Small suction hose end , piece grey		
9	59205242WX10	Small suction hose end , piece 10 pieces, white		
9	59205242GX10	Small suction hose end , piece 10 pieces, grey		
10	CA140	Suction handpiece , Cattani, small		
10	CA140X10SET	Suction handpiece Cattani,small 10 pieces		
11	CA150	Suction handpiece , Cattani, big		
11	CA150X10SET	Suction handpiece Cattani,big 10 pieces		
12	59204182W	Suction handpiece , F1, small white		
12	59204182G	Suction handpiece , F1, small grey		
12	59204182X10SET	Suction handpiece, F1,small 10 pieces white		
13	59204181W	Suction handpiece , F1, big white		
13	59204181G	Suction handpiece , F1, big grey		
13	59204181X10SET	Suction handpiece, F1,big 10 pieces		
14	DU220	Suction handpiece DÜRR,small		
15	DU210	Suction handpiece DÜRR,big		
16	FU20600	External suction filter for high volume suction		
17	3333274	Filter cartridge for external suction filter		

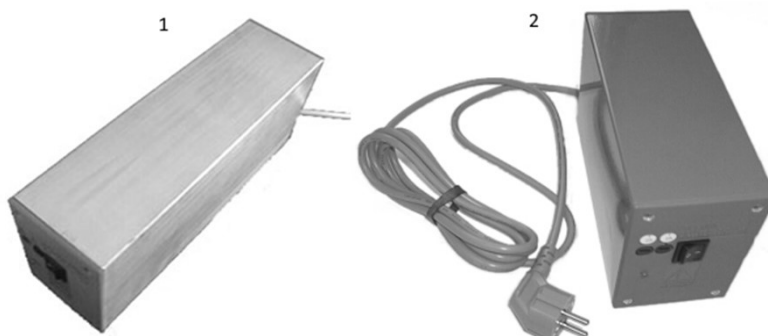


## Spare part pricelist for F1 unit

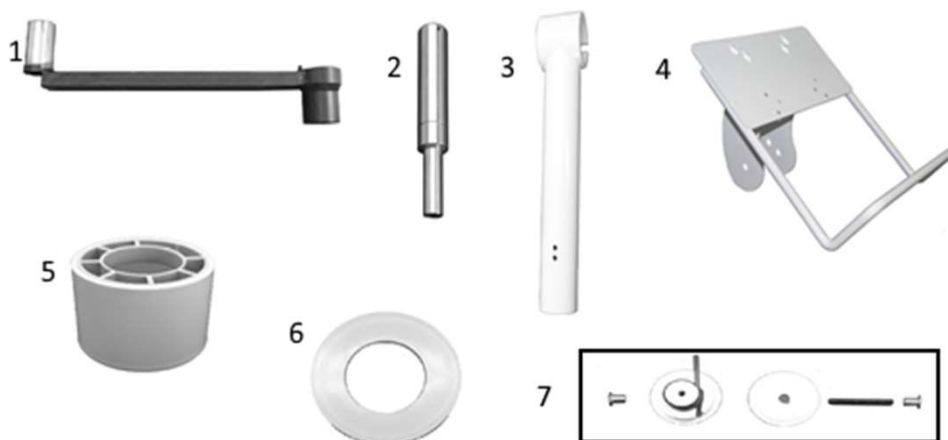
Item No	Order No	Name		
1	DE350	Turbine/MC3 hose, 1,7m		
4	DE340	Micromotor hose KaVo 200		



Item No	Order No	Name		
1	PS2150C1230	Transformer PS2150C1		
2	PS150C1230	Transformer PS150C1		
2	PS150C2230	Transformer PS150C2		

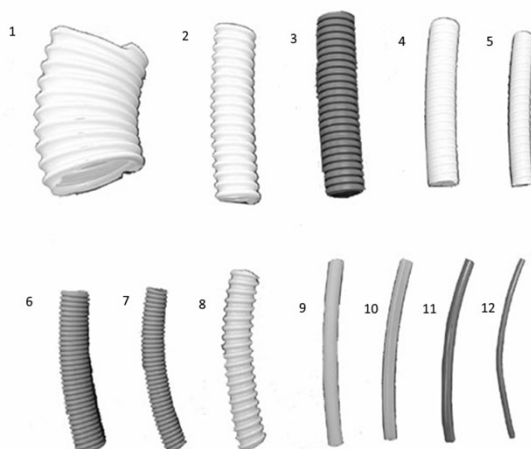


Item No	Order No	Name		
3	FU8000	Monitor arm horizontal metal part		
2	FU8110	Extension axel for monitor arm		
3	FU8002M	Monitor holder column		
4	FU8035M	Monitor fixing plate		
5	FU8120M	Middle bushing		
6	59204860	Cover plate for monitor arm plate		
7		Monitor column fixin pieces		



## Spare part pricelist for F1 unit

Item No	Order No	Name		
1	2060	Throat hose metal strenght 65mm		
1	2060ROLL	Throat hose metal strenght 65mm roll 10m		
2	2070	Throat hose metal strenght 25mm		
2	2070ROLL	Throat hose metal strenght 25mm roll 10m		
3	2560	PVC hose gray 28mm, 22/28mm		
3	2560ROLL	PVC hose gray 28mm, 22/28mm roll 50m		
4	2102	Plastic strenght hose EX-O-FLEX 17,5mm		
4	2100ROLL	Plastic strenght hose EX-O-FLEX 17,5mm roll 50m		
5	2092	Plastic strenght hose EX-O-FLEX 11,0mm		
5	2090ROLL	Plastic strenght hose EX-O-FLEX 11,0mm roll 50m		
6	2100H	Plastic suction hose gray 17,5mm		
6	2100HROLL	Plastic suction hose gray 17,5mm roll 50m		
7	2090H	Plastic suction hose gray 11,0mm		
7	2090HROLL	Plastic suction hose gray 11,0mm roll 50m		
8	2080	Throat hose PVC plastic strenght (inform size) 16/22mm		
9	2110	Silicon hose gray 8/10mm		
10	3333935	Hard plastic hose 8/10mm		
10	3333940	Hard plastic hose 6/8 mm		
11	AP2060	Polyurethane hose blue 0.145-1/4, 0.145-1/4		
11	AP2060ROLL	Polyurethane hose blue 0.145-1/4, 0.145-1/4 roll 1000feet/330m		
11	AP2070	Polyurethane hose green 0.145-1/4		
11	AP2070ROLL	Polyurethane hose green 0.145-1/4 roll 1000feet/330m		
11	AP2130	Polyurethane hose blue 0.170-1/4		
11	AP2150	Polyurethane hose green 0.170-1/4		
12	AP2080	Polyurethane hose blue 1/16-1/8		
12	AP2080ROLL	Polyurethane hose blue 1/16-1/8 roll 2500feet/825m		
12	AP2090	Polyurethane hose green, 1/16-1/8		
12	AP2090ROLL	Polyurethane hose green, 1/16-1/8 roll 2500feet/825m		

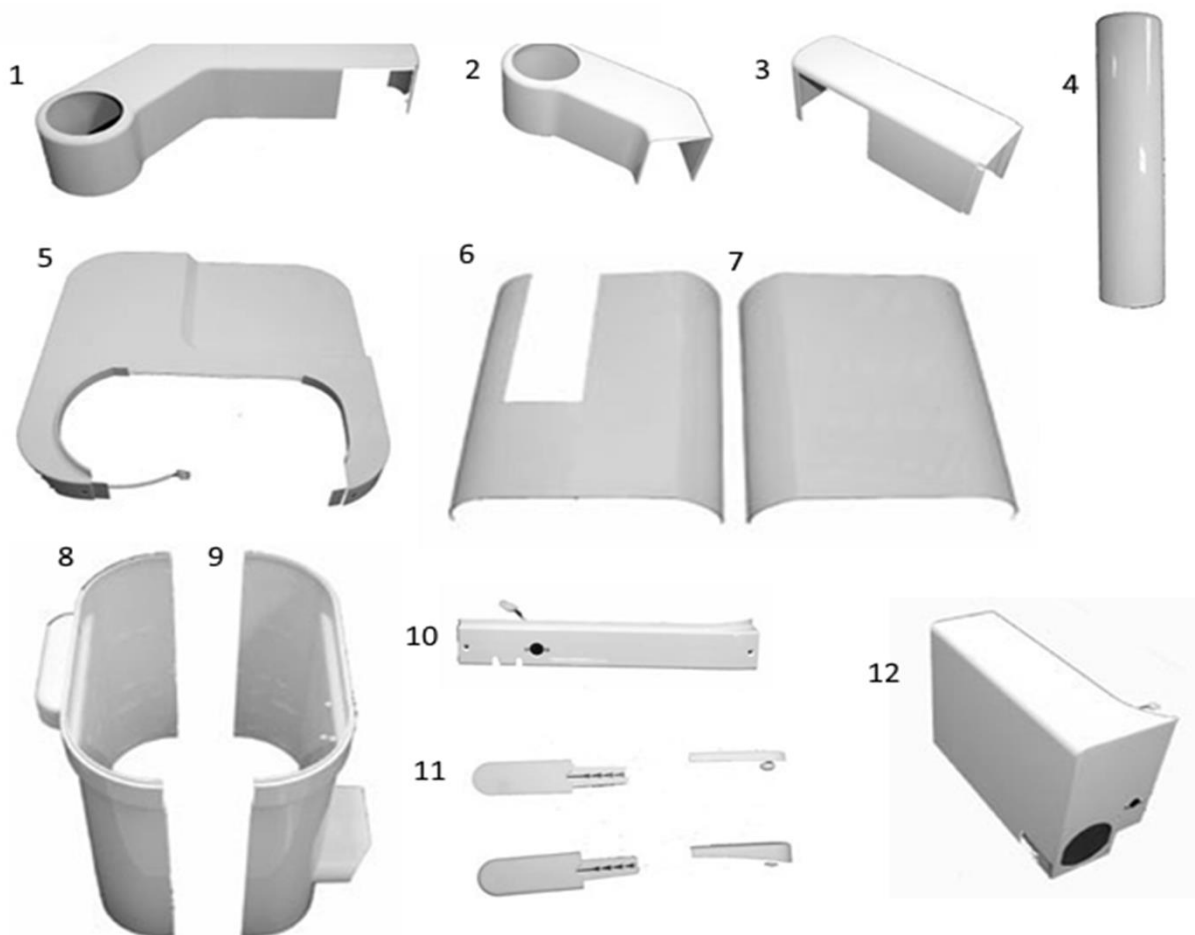


Item No	Order No	Name		
1	FU9665	Hanging hose holder for syringe (Mickey Mouse, Minimate)		
2	FU9650	Hanging hose holder for syringe (Forest ,DCI)		
3	FU9640	Hanging hose holder for syringe (Luzzani 6-way,3-way )		
4	FU9635	Hanging hose holder for 4-hole air hose (id.17mm)		
5	FU9637	Hanging hose holder for MC-3 motor/air hose (id.17mm)		
6	FU9610	Hanging hose holder for mikromotor (Kavo200,201,BA)		



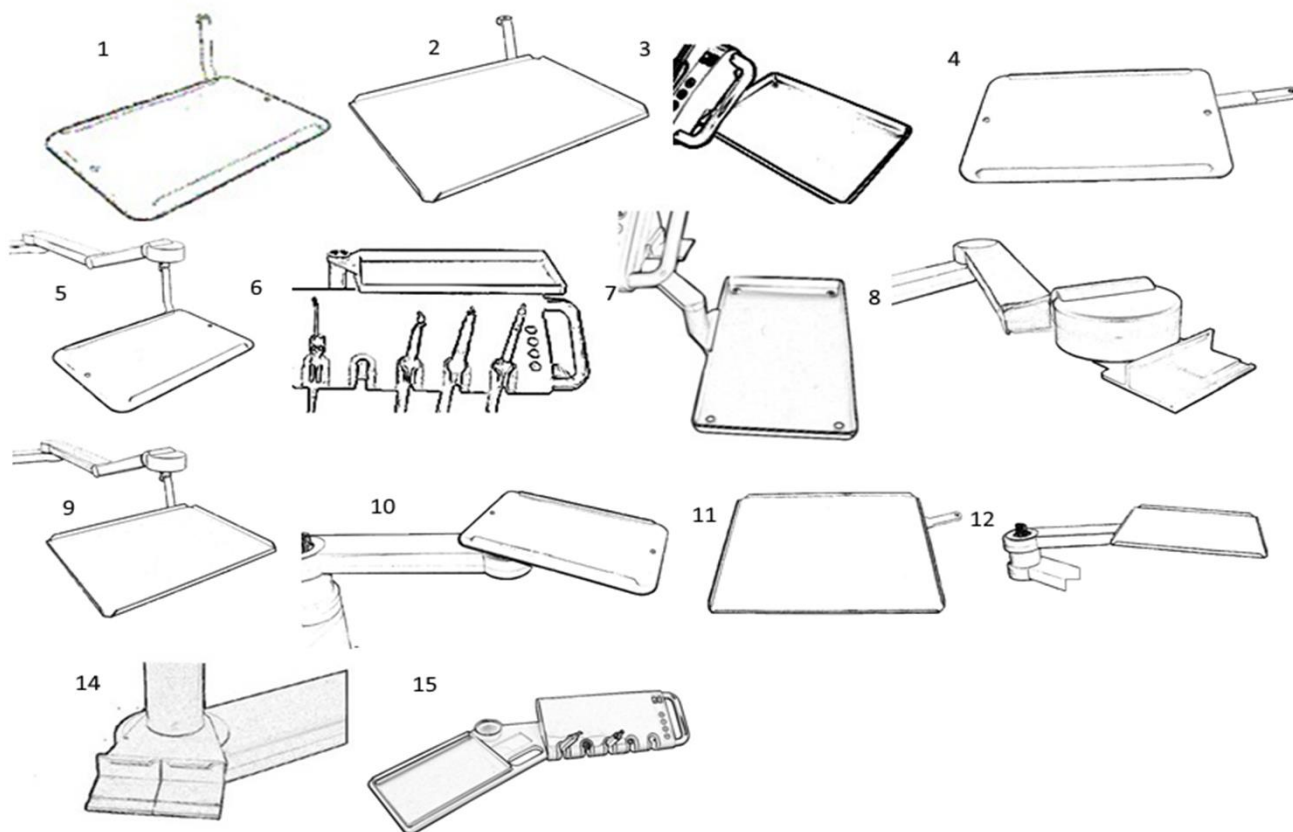
## Spare part pricelist for F1 unit

Item No	Order No	Name		
1	59205153	Prime adapter cover complete		
2	59205151	Prime adapter cover 1		
3	59205152	Prime adapter cover 2		
4	FS19210M	Prime light pole		
5	59200230	Prime bottom cover		
6	59100131	Prime lower lift chair side		
7	59100132	Prime lower lift suction side		
8	59204721P	Prime cuspidor body suction side		
9	59204722P	Prime cuspidor body chair side		
10	59200231	Prime bottom cover rear panel		
11	59204956	Prime covers fixing piece set		
12	FS27720	Prime integrated floorbox cover		
13	FS27721	Prime integrated floorbox inner part		



## Spare part pricelist for F1 unit

Item No	Order No	Name		
1	F1TRAY01	Instrument tray and arm		
2	F1TRAY02	Double tray and arm		
3	F1TRAY03	Tray holder and aluminium tray		
4	F1TRAY04	Instrument tray and straight arm		
5	F1TRAY05	Instrument tray and arm alone in the Unit arm		
6	F1TRAY06	Instrument tray holder and aluminium tray above the bridge		
7	F1TRAY07	Aluminium tray with holder and swivel arm		
8	F1TRAY08	Double alu tray holder in the Unit arm		
9	F1TRAY09	Double tray and arm alone in the Unit arm		
10	F1TRAY10	Instrument tray in the monitor arm		
11	F1TRAY11	Double tray and straight arm		
12	F1TRAY12	Double tray in the monitor arm		
14	F1TRAY14	Alu tray holder in the monitor holder column (not include monitor arm)		
15	F1TRAY15	Fixed left side tray		
16	F1TRAY16	Fixed left side double tray		
	F1TRAY17	Instrument double tray		
	F1TRAY18	18 Medicine Fe Tray, Above Bridge		
	F1TRAY21	F1 Double Size Tray 21 (Steel)		
	F1TRAY22	Double tray and arm alone in unit (short or long) arm		



## Spare part pricelist for F1 unit

Item No	Order No	Name		
	F1CLWA	clean water bottle after installation set		