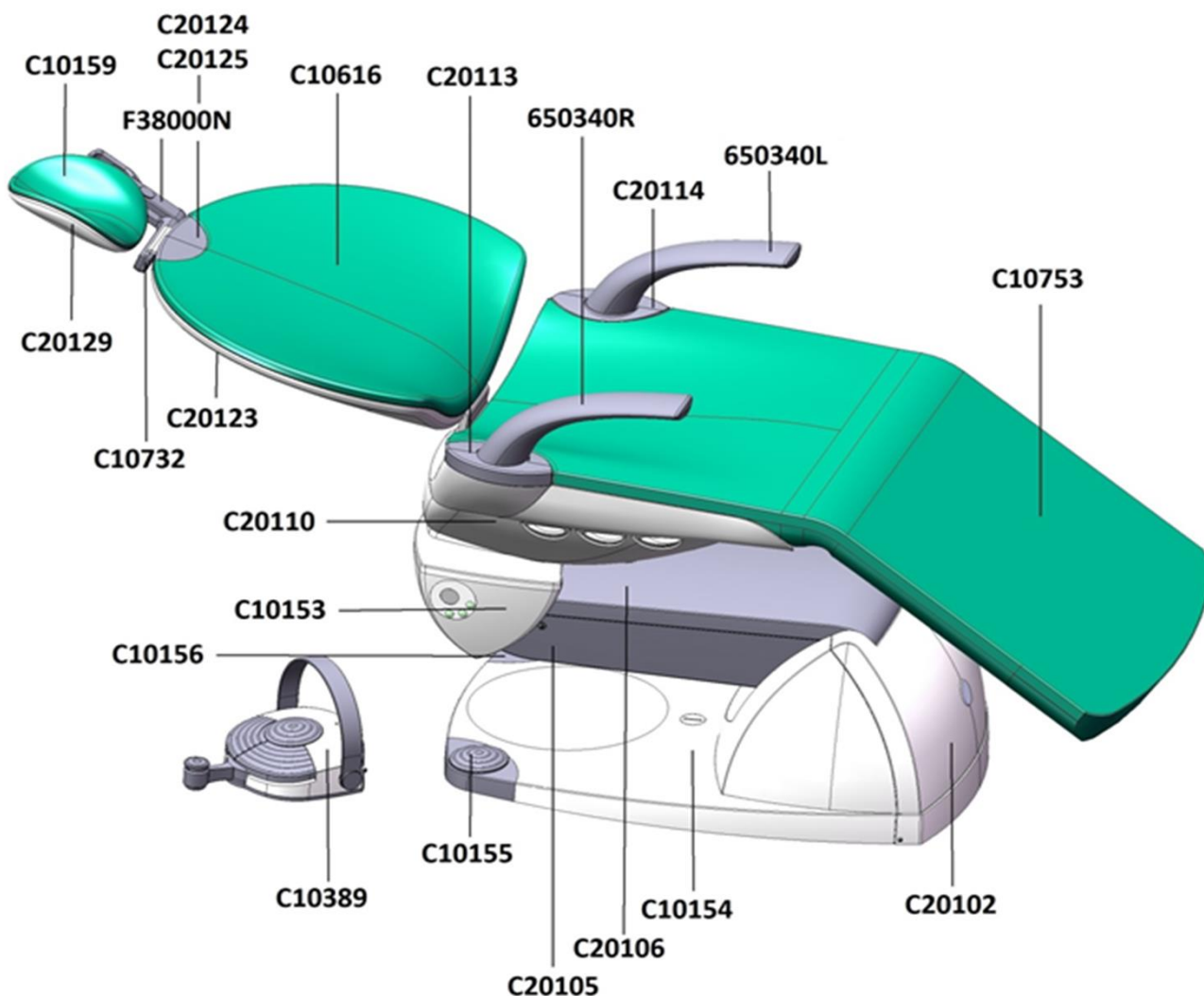


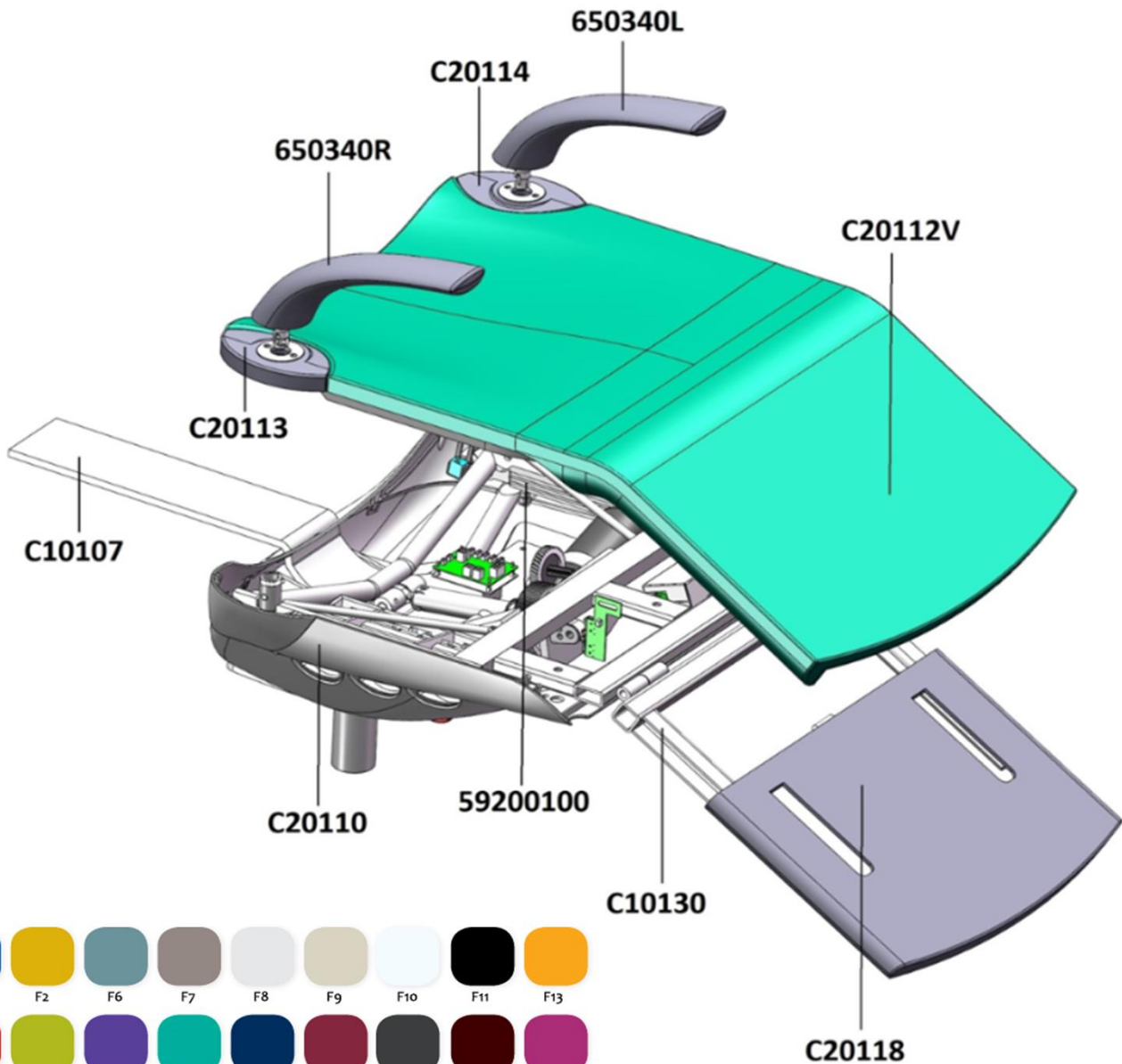
Valid from 1.2 2020

Order No	Name
C10159	Headrest, assembly
C20129	Headrest back cover (inform colour RAL9002 or RAL9016)
F38000N	Head rest, double pivoting lock NEO gray
C20124	Backrest, headr. inlet cover, front
C20125	Backrest, headr. inlet cover, back
C10732	Headrest plate, bended, assembly
59201171N	Head rest slide axle upper cover NEO
59201172N	Head rest slide axle lower cover NEO
C10616	Backrest assembly (inform colour for upholstery and back cover RAL9002 or RAL9016)
C20123	Backrest back cover (inform colour RAL9002 or RAL9016)
C20114	Seat armrest plate left NEO gray
C20113	Seat armrest plate right NEO gray
650340L	Handrest left, assembly Neo gray
650340R	Handrest right, assembly Neo gray
C10753	Seat parts long with upholst., assy (inform colour)
C20110	Chair seat bottom (inform colour RAL9002 or RAL9016)
C10153	Upper lift box, assembly
C10155	Joystick right, assembly
C10156	Joystick left, assembly
C10389	Foot control, assembly
C20105	Parallel casing, bottom
C20106	Parallel casing, top
C10154	Chair base casing, assembly
C20102	Chair bottom front



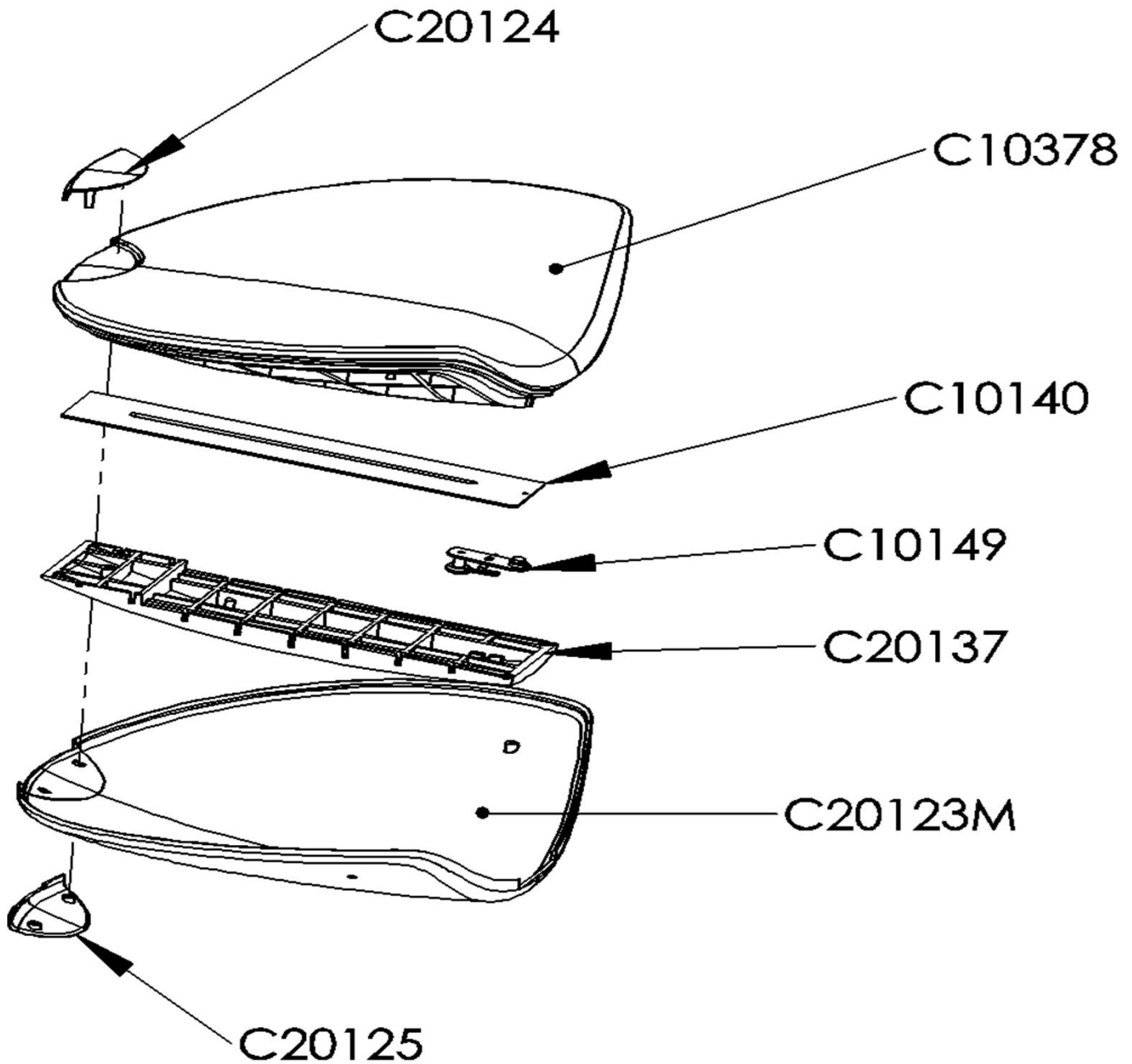
Valid from 1.2 2020

Order No	Name
C10134LM	Handrest left, assembly Neo gray
C10134RM	Handrest right, assembly Neo gray
C20114	Seat armrest plate left NEO gray
C20113	Seat armrest plate right NEO gray
C20112V	Chair seat base plate with upholst. Short (please inform colour)
C10107	Swivel arc, assembly
C20110	Chair seat bottom (inform colour RAL9002 or RAL9016)
59200100	Leg rest adjustment bar
C10130	Footrest middle plate
C20118	Legrest extension



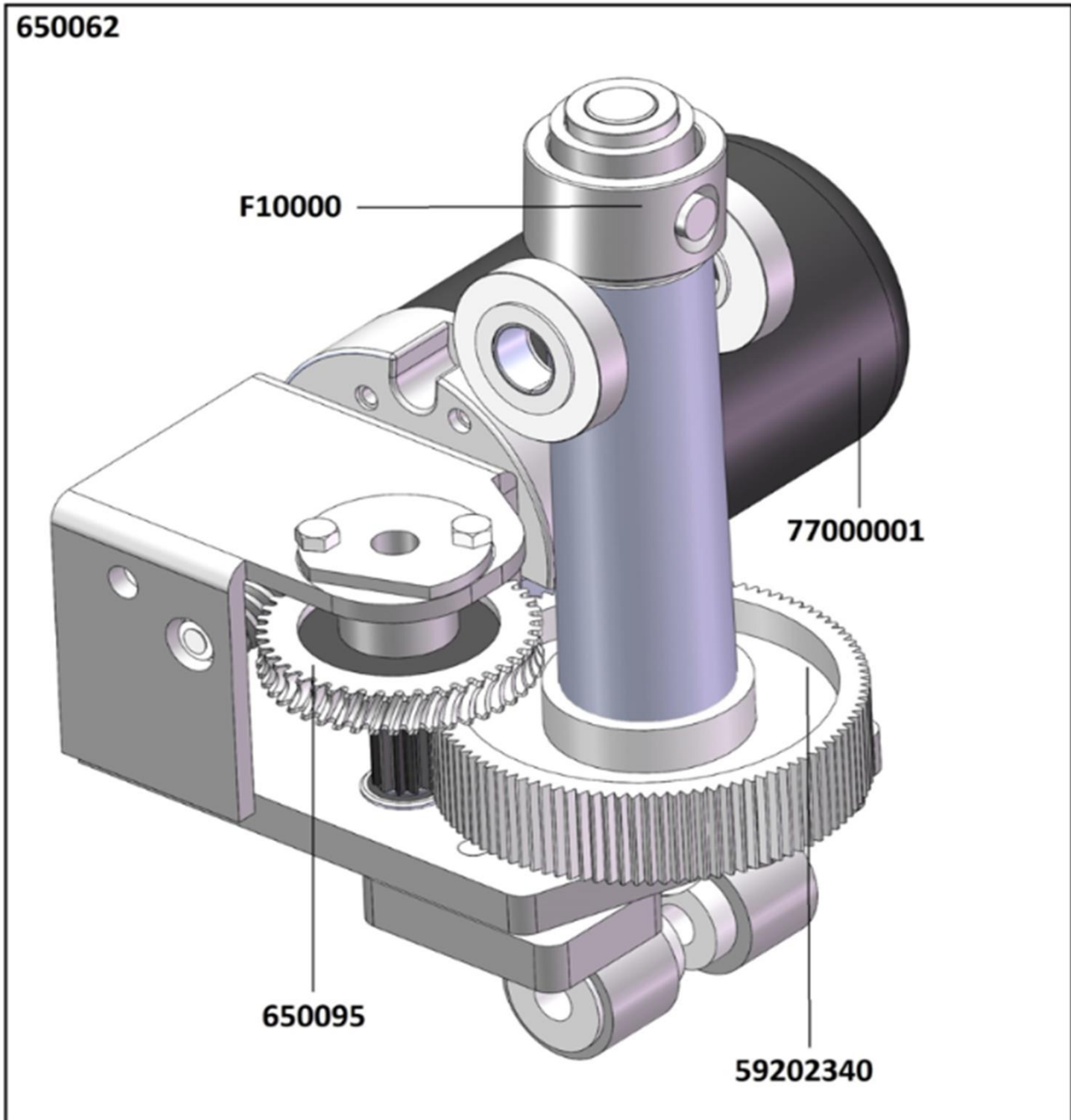
Valid from 1.2 2020

Order No	Name
C10616	Back rest assembly
C20124	Backrest, headr. inlet cover, front
C10140	Backrest slide
C10149	Backrest locking lever plate
C20137	Backrest slide case cover
C20123M	Backrest, back
C20125	Backrest, headr. inlet cover, back



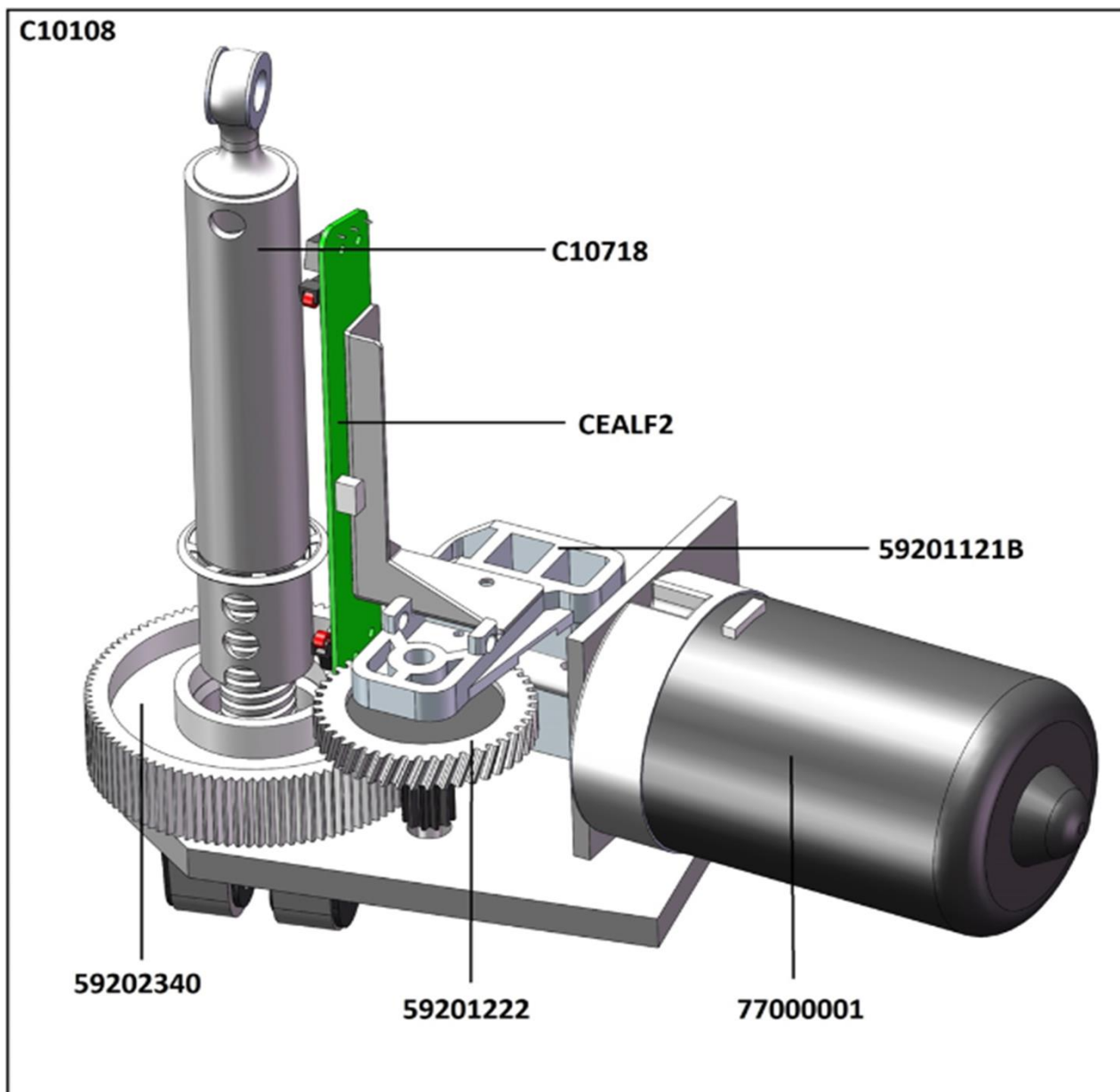
Valid from 1.2 2020

Order No	Name
650062	Lift motor assy with lower bracket Assembly
59202340	Motor gearwheel, thick
77000001	Lift and tilt motor, 12V
F10000	Lift motor spindle tube asse
650095	Lift motor small gear, machined



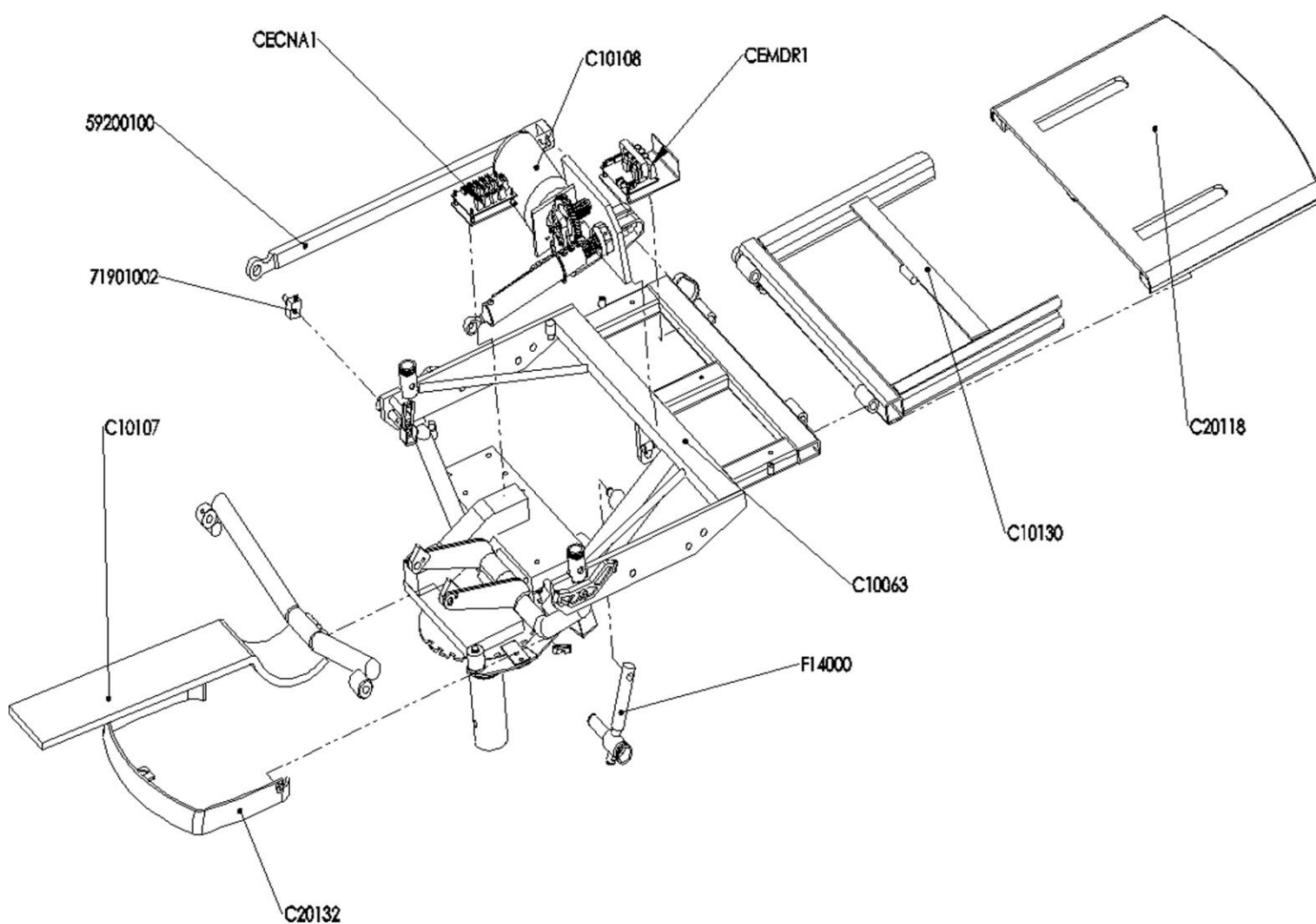
Valid from 1.2 2020

Order No	Name
C10108	Tilt motor, assembly
C10718	Tilt pipe, assembly
CEALF2	ALF - Back rest limit switch ver 2
59201121B	Gearwheel holder
59202340	Motor gearwheel, thick
59201222	Back rest motor gearwheel, thin
77000001	Lift and tilt motor, 12V



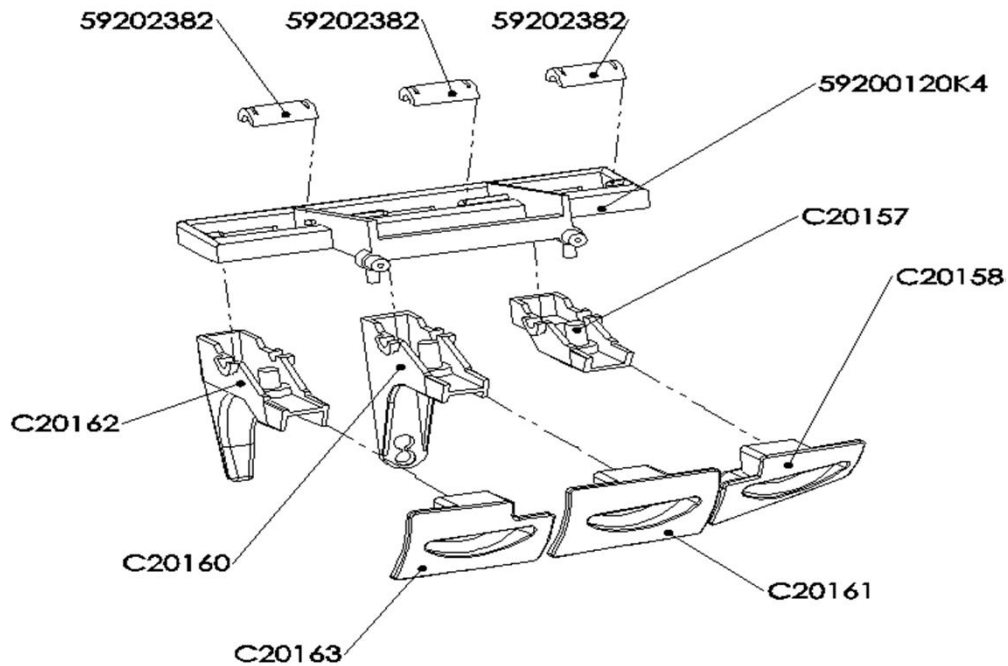
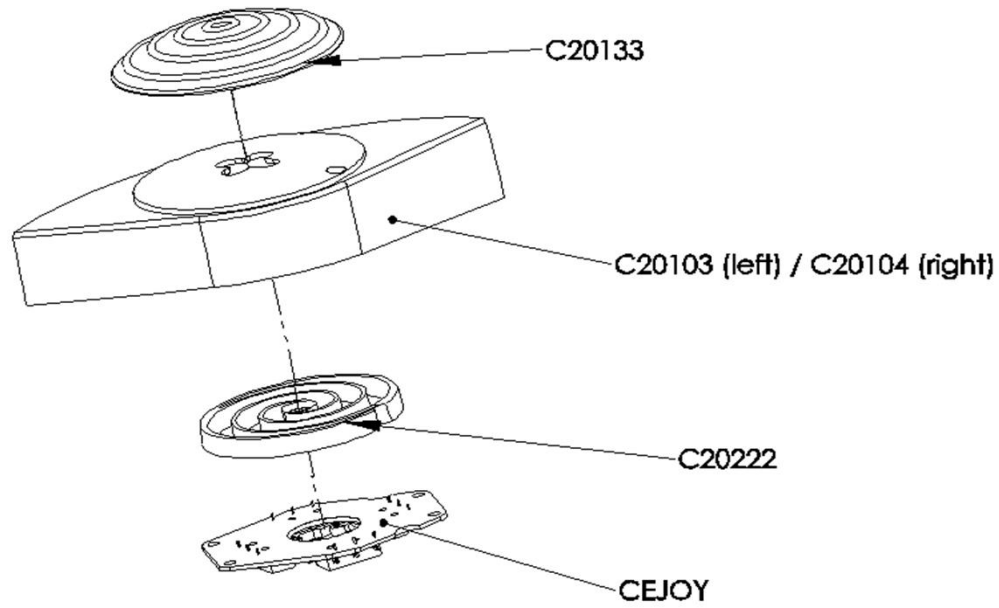
Valid from 1.2 2020

Order No	Name
59200100	Leg rest adjustment bar
71901002	Potentiometer
C10108	Tilt motor, assembly
C10107	Swivel arc, assembly
C10130	Footrest middle plate
C20118	Legrest extension
C20132M	Chair seat bottom slide panel
CECNA1	CNA - Chair connector PCB
CEMDR1	MDR - Dc Motor Driver
CEMDR2	MDR - Dc Motor Driver
F14000	Seat angle adjustment bar



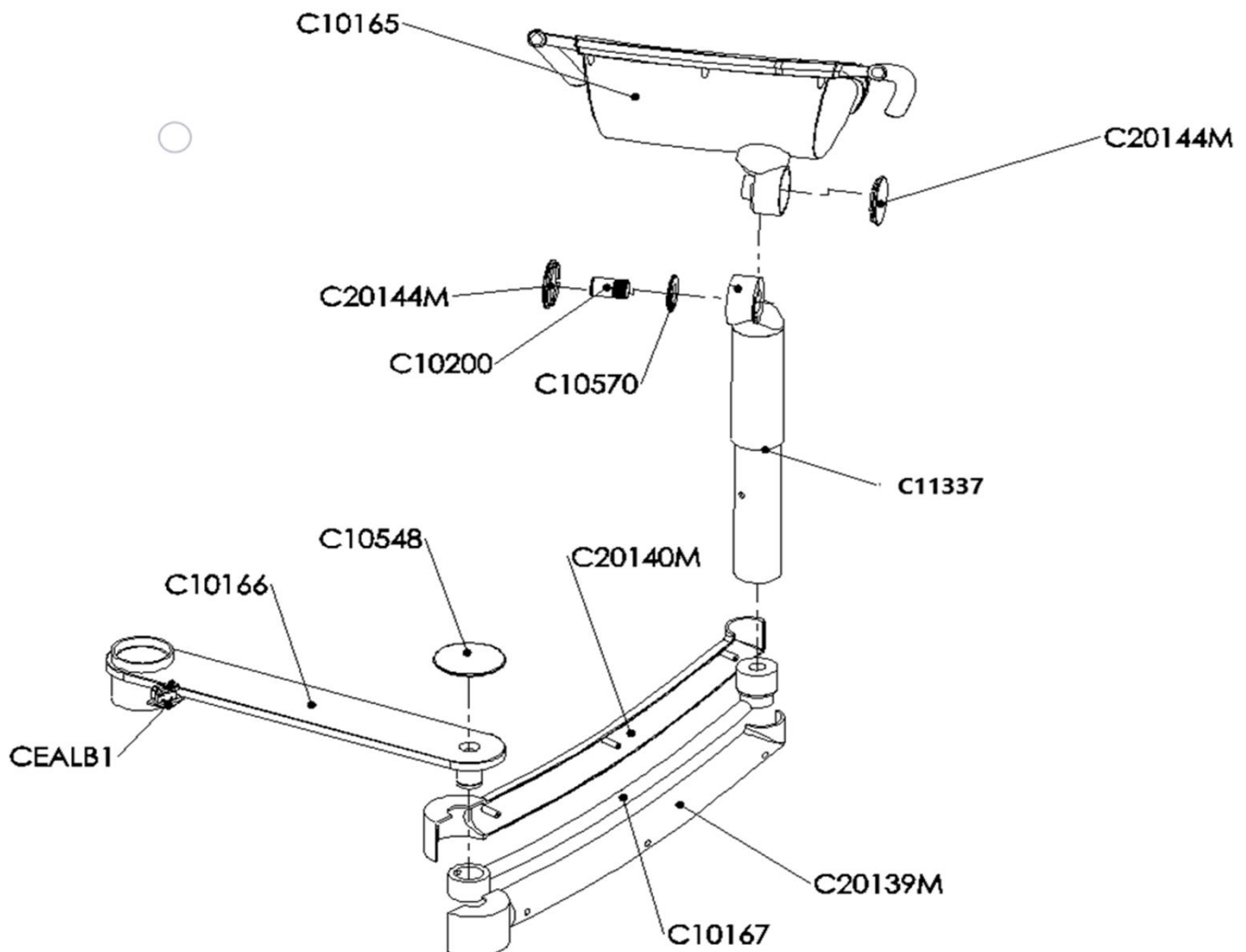
Valid from 1.2 2020

Order No	Name
C20103	Chair bottom corner+joystick, right
C20104	Chair bottom corner+joystick, left
C20133	Joystick cap
C20222	Joystick spring
CEJOY1	JOY - Joystick
C10155	Joystick right
C10156	Joystick left
59200120K4	Chair posit. button holder, 2 holes
59202382	Chair positioning button
C20157	Chair control lever 1
C20158M	Chair control lever 1 handle
C20160	Chair control lever 2
C20161M	Chair control lever 2 handle
C20162	Chair control lever 3
C20163M	Chair control lever 3 handle



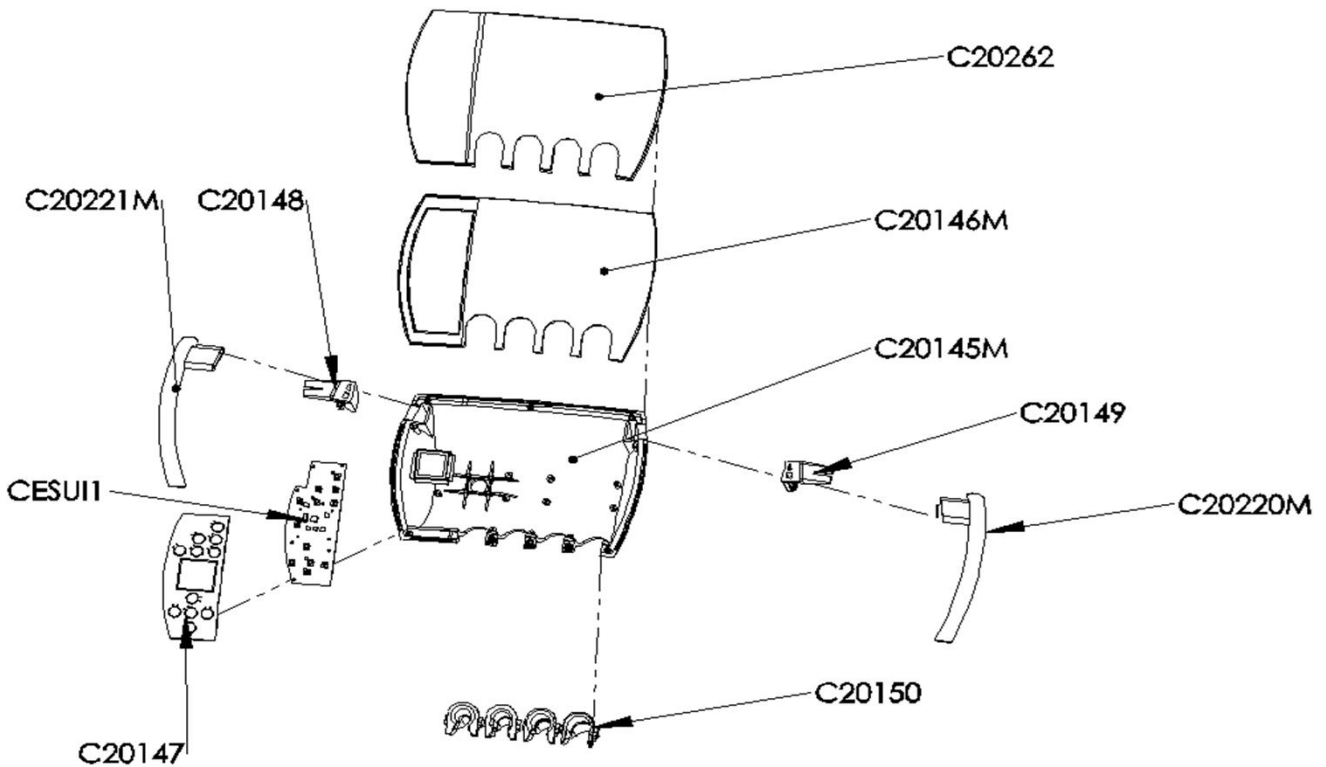
Valid from 1.2 2020

Order No	Name
C10165	Suction head
C10166	Suction arm, 1-arm, assembly (inform colour RAL9002 or RAL9016)
C10167	Suction arm, 2-arm, assembly (inform colour RAL9002 or RAL9016)
C11337	Suction arm vertical arm (inform colour RAL9002 or RAL9016)
C10200	Suction arm joint axle
C10547	Suction arm joint nut
C10548	Suction arm joint cap (inform colour RAL9002 or RAL9016)
C10570	Suction head joint washer
C10670	Suction head joint washer, nut side
C20139M	Suction arm cover, left (inform colour RAL9002 or RAL9016)
C20140M	Suction arm cover, right (inform colour RAL9002 or RAL9016)
C20142M	Suction head joint, female (inform colour RAL9002 or RAL9016)
C20144M	Suction head joint cap (inform colour RAL9002 or RAL9016)
CEALB1	ALV - Suction arm safety switch



Valid from 1.2 2020

Order No	Name
C10164	Suction head cover, assembly (inform colour RAL9002 or RAL9016)
CEHSW1	HSW - Instr. detector, hang. hose
CESUI1	SUI - Suction Head User Interface
C20145M	Suction head, bottom (inform colour RAL9002 or RAL9016)
C20146M	Suction head, top (inform colour RAL9002 or RAL9016)
C20148	Handle, attachment part left
C20149	Handle, attachment part right
C20150	Instr. holder, big suction
C20151	Instr. holder, small suction
C20152	Instr. holder, Luzzani syringe
C20153	Instr. holder, camera
C20220M	Handle outer right (inform colour RAL9002 or RAL9016)
C20221M	Handle outer left (inform colour RAL9002 or RAL9016)
C20261	Instr. holder camera sopra 617
C20262	Suction head silicone cover



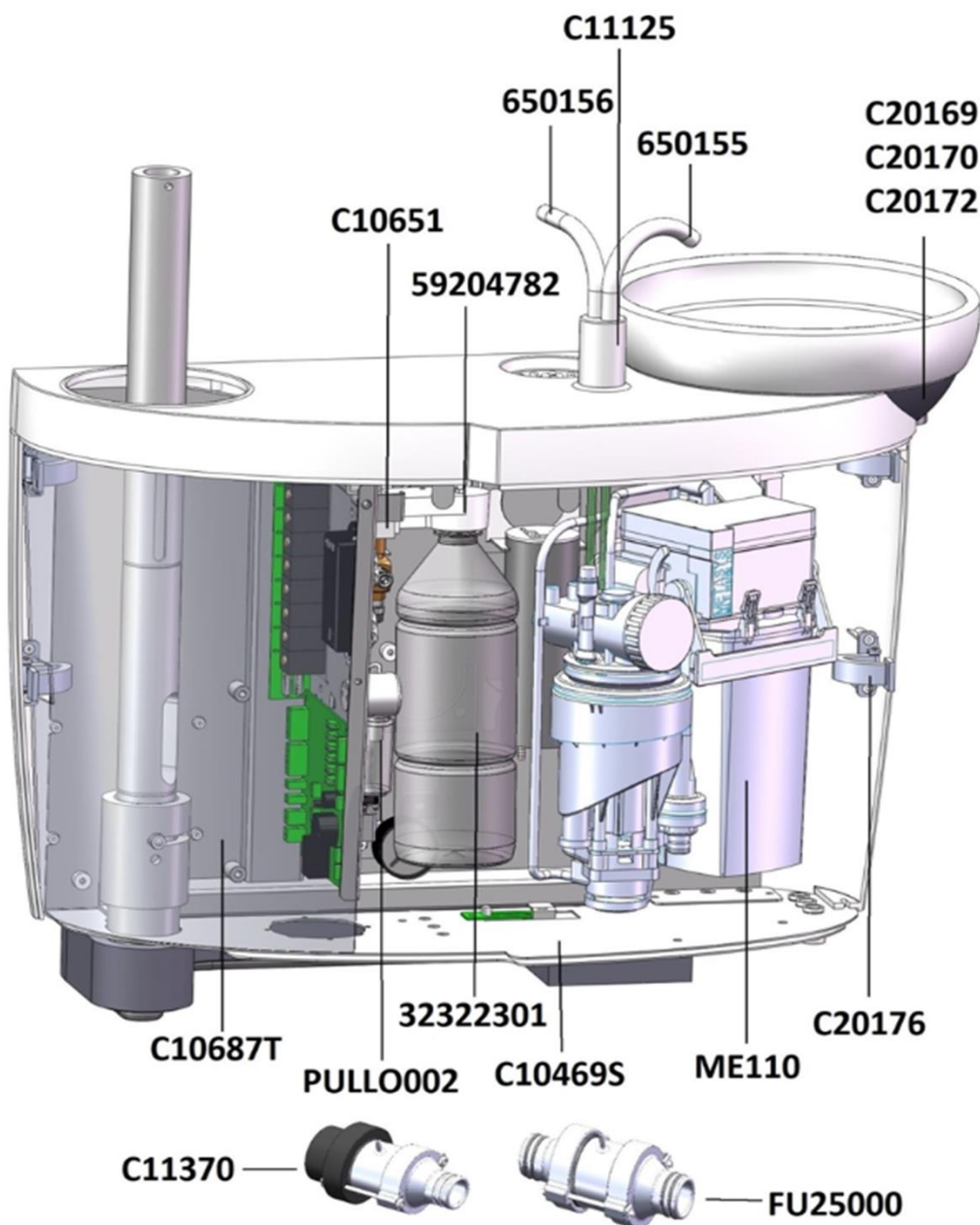
Valid from 1.2 2020

Order No	Name
C20168	Unit top cover (inform colour RAL9002 or RAL9016)
C11127	Neo metal faucet (inform colour RAL9002 or RAL9016)
TC200	Additional porcelain bowl NEO
PINN2000	Additional bowl filter Neo
C10686	Instrument disinfection plate (inform colour RAL9002 or RAL9016)
C20167	Unit door, back-left (inform colour RAL9002 or RAL9016)
C20166	Unit door, front-right (inform colour RAL9002 or RAL9016)
C20164	Unit back cover (inform colour RAL9002 or RAL9016)



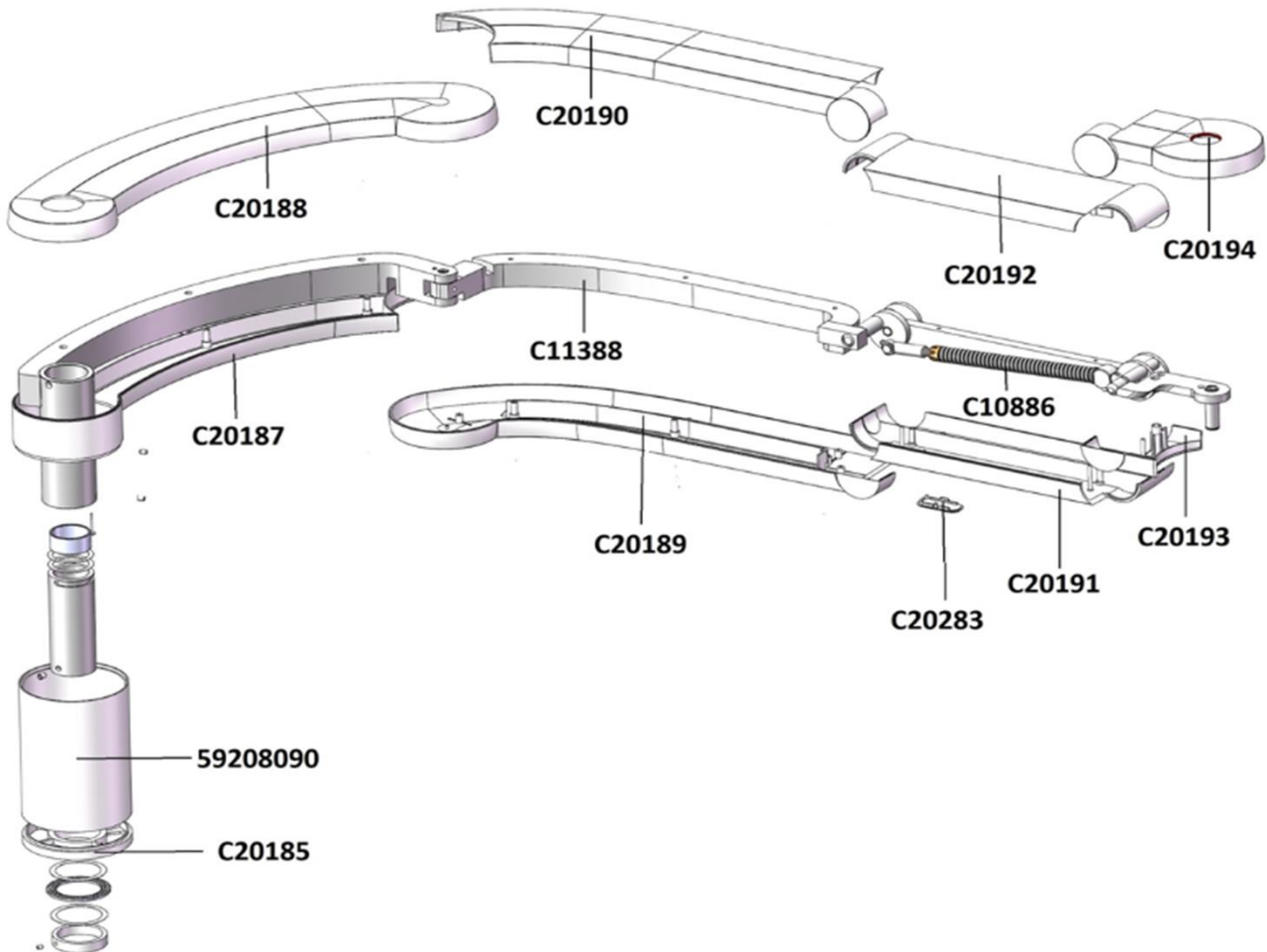
Valid from 1.2 2020

Order No	Name
C10651	Clean water bottle holder ext. Part
59204782	Clean water bottle holder body
650156	Glass fill faucet Neo, assembly (inform colour RAL9002 or RAL9016)
C11125	Neo metal faucet body (inform colour RAL9002 or RAL9016)
650155	Bowl rinse faucet Neo, assembly (inform colour RAL9002 or RAL9016)
C20169	Unit spittoon bowl saucer
C20170	Suction hose adapter
C20172	Drainage cup
C10687T	Protective cover for electronics
PULLO002	Exhaust oil bottle
32322301	Clean water bottle, 1 liter
C10469S	Unit body, assembly, zinced
ME110	Metasys amalgam separator MST1
C20176	Unit door hinge hook
C11370	Selective valve with filter joint
FU25000	Selective valve
FU26100	Water heater
3333135	Pressure meter round 0 - 6 bar



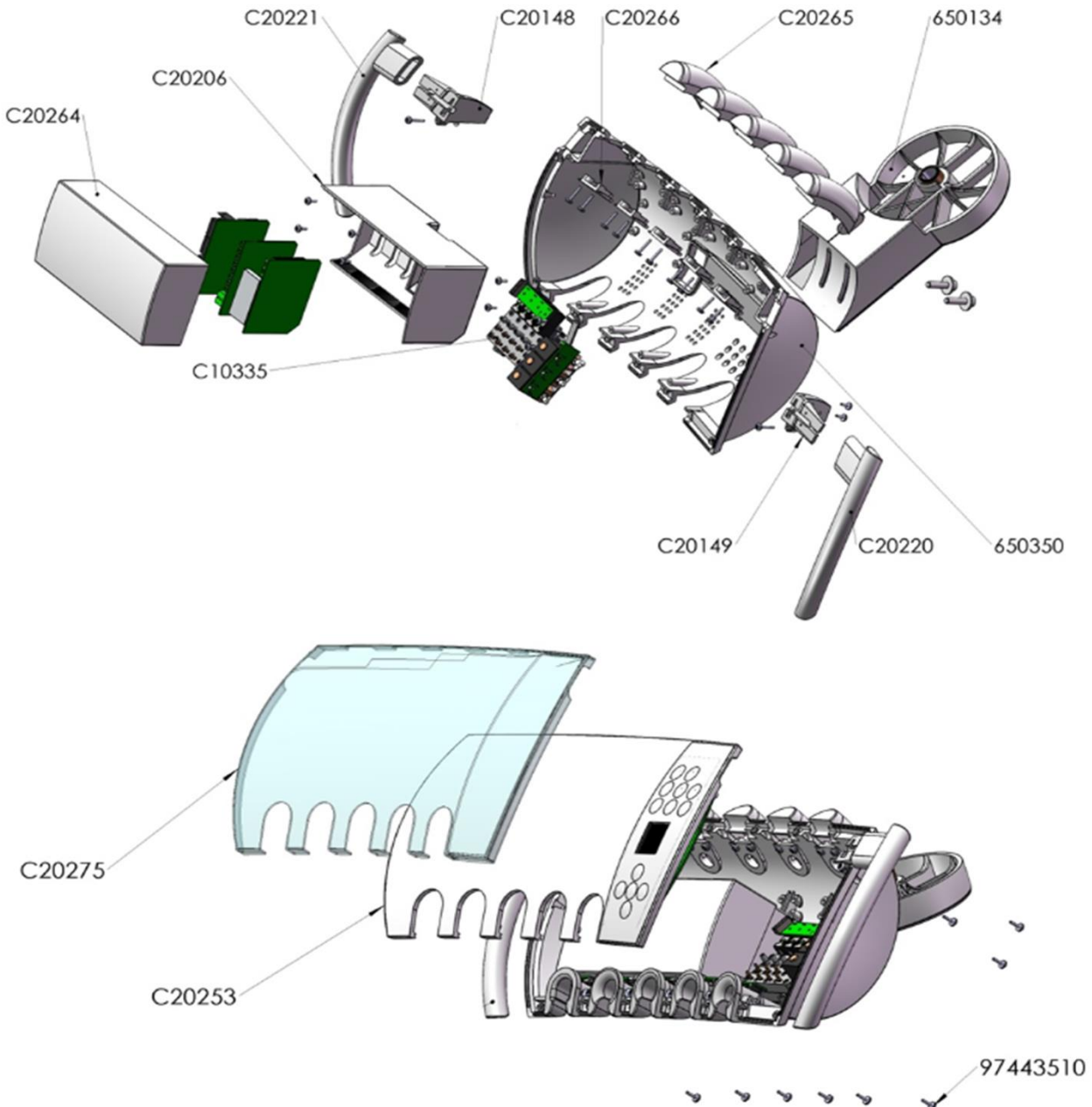
Valid from 1.2 2020

Order No	Name
C20188	Instr. arm, 1-arm top (inform colour RAL9002 or RAL9016)
C20190	Instr. arm, 2-arm top (inform colour RAL9002 or RAL9016)
C20192	Instr. arm, 3-arm top (inform colour RAL9002 or RAL9016)
C20194	Instr. arm, 4-arm top (inform colour RAL9002 or RAL9016)
C20187	Instr. arm, 1-arm bottom (inform colour RAL9002 or RAL9016)
C11388	Instrument arm skeleton assembly
C10886	Instrum. arm comp. spring, assembly
C20189	Instr. arm, 2-arm bottom (inform colour RAL9002 or RAL9016)
C20283	3-arm spring cover plug (inform colour RAL9002 or RAL9016)
C20191	Instr. arm, 3-arm bottom (inform colour RAL9002 or RAL9016)
C20193	Instr. arm, 4-arm bottom (inform colour RAL9002 or RAL9016)
59208090	Instr. arm, 1-arm outer pipe (inform colour RAL9002 or RAL9016)
C20185	Instr. arm, 1-arm vert.pipe support



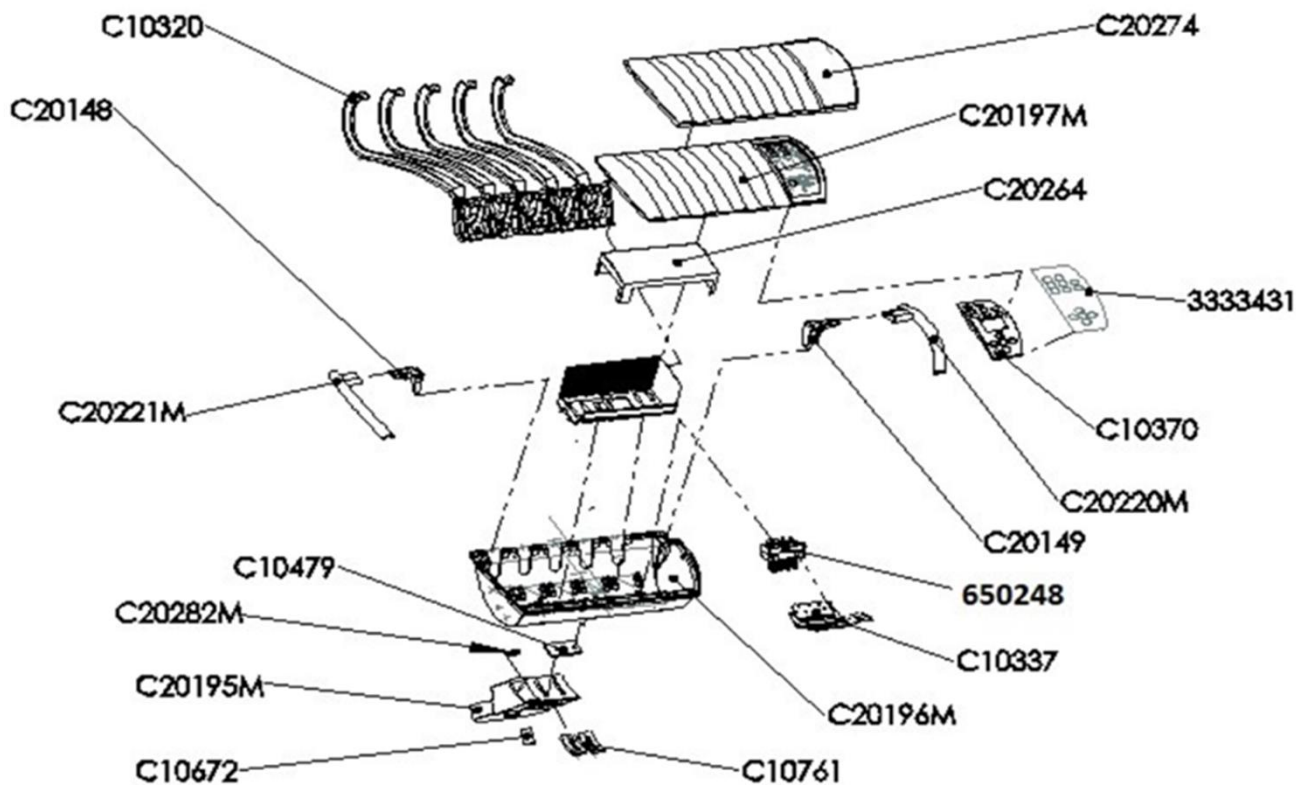
Valid from 1.2 2020

Order No	Name
C20264	Hanging hose attachment cover
C20206	Instr.head pcb holder bottom
C20221	Handle outer Left (inform colour RAL9002 or RAL9016)
C20148	Handle, attachment part left
C20220	Handle outer right (inform colour RAL9002 or RAL9016)
C20149	Handle, attachment part right
C20266	Hanging hose attachment fastener
C20265	Hanging hose attachment cover (inform colour RAL9002 or RAL9016)
650134	5-arm, assembly (inform colour RAL9002 or RAL9016)
650350	Hanging instr head bottom+support (inform colour RAL9002 or RAL9016)
C20275	Instr. bridge silicone cover, hang
C20253	Instr.head top hanging hoses (inform colour RAL9002 or RAL9016)
97443510	PT-screw WN 1452 3,5x10
650248	Valve block for pilot valves
C10335	Valve plate assembly



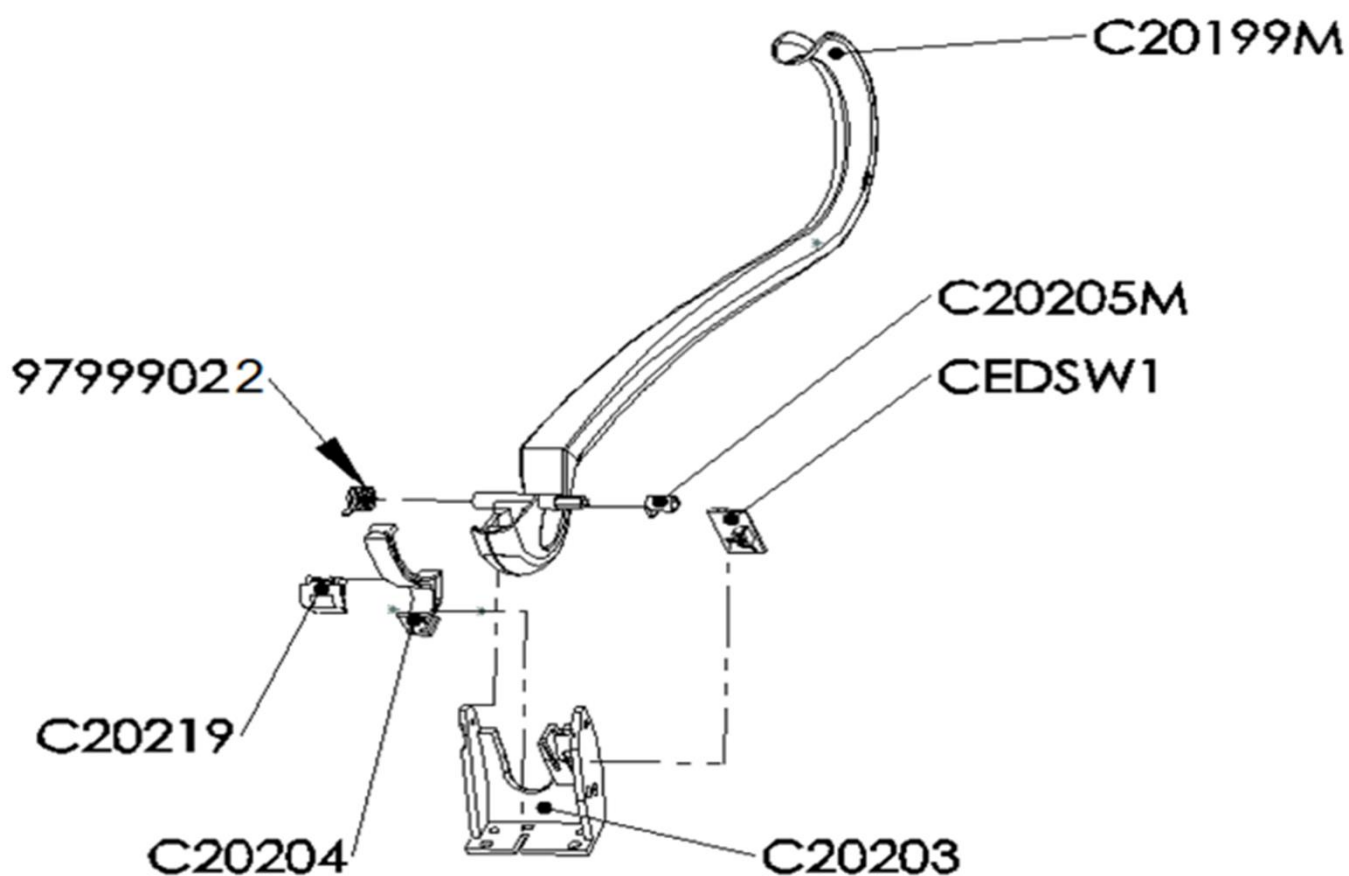
Valid from 1.2 2020

Order No	Name
3333431	Button membr. NEO instrument bridge
650248	Pneumatic block NEO
C10320	Doriot arm, assembly (inform colour RAL9002 or RAL9016)
C10337	Distributor block plate
C10479	Intrument arm mounting plate
C10672	Instr. bridge bearing bushing
C10761	Instrument head tilting support
C20148	Handle, attachment part left
C20149	Handle, attachment part right
C20195M	Instr. arm, 5-arm (inform colour RAL9002 or RAL9016)
C20196M	Instr. bridge bottom, doriot (inform colour RAL9002 or RAL9016)
C20197M	Instr. bridge top, doriot (inform colour RAL9002 or RAL9016)
C20220M	Handle outer right (inform colour RAL9002 or RAL9016)
C20221M	Handle outer left (inform colour RAL9002 or RAL9016)
C20264	Instr.head PCB holder cover
C20274	Instr. bridge silicone cover,doriot
C20282M	5-arm cover plug (inform colour RAL9002 or RAL9016)



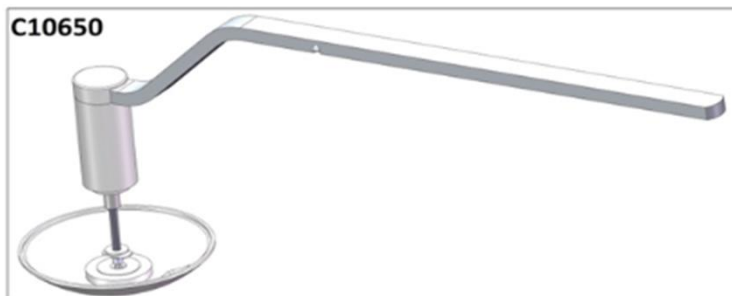
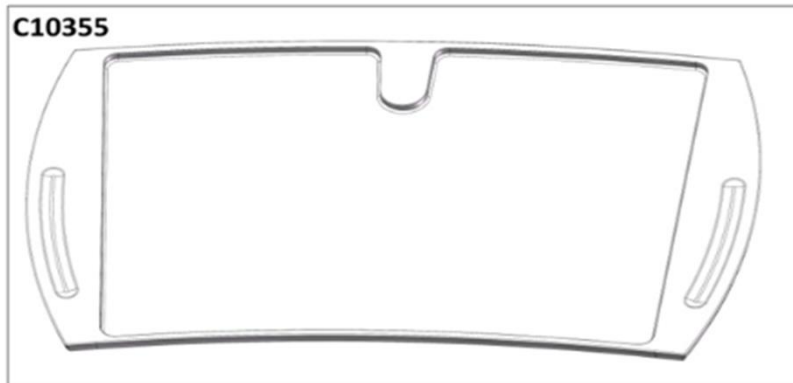
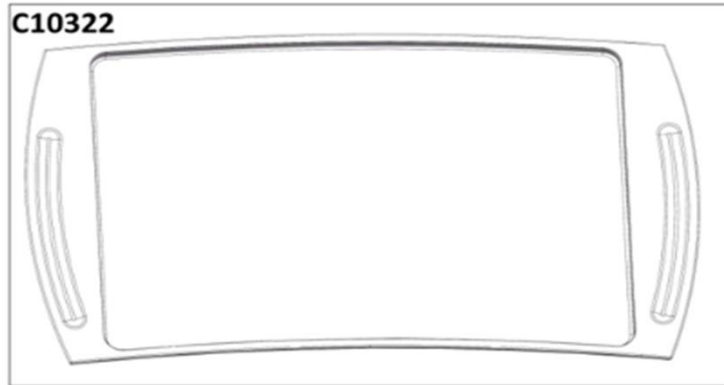
Valid from 1.2 2020

Order No	Name
C10320	Doriot arm assembly (inform colour RAL9002 or RAL9016)
C20199M	Doriot arm (inform colour RAL9002 or RAL9016)
C20205M	Doriot arm lever
CEDSW1	DSW - Doriot Tools Switch
C20203	Doriot arm fastener
C20204	Doriot arm hose fastener
C20219	Doriot arm hose holder slide
97999022	Hose carrier spring NEO



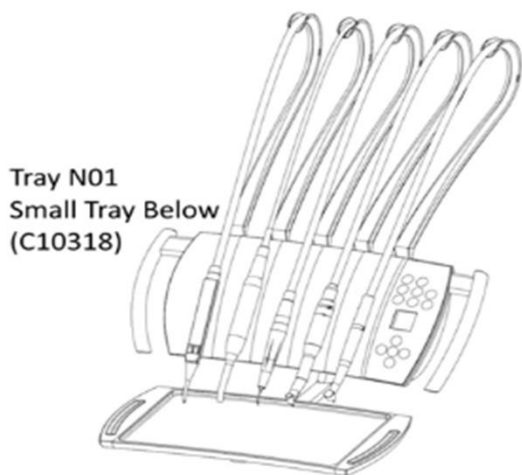
Valid from 1.2 2020

Order No	Name
C10322	Tray1, with out arm (inform colour RAL9002 or RAL9016)
C20280	Tray silicone cover for tray1
C10355	Double tray, with out arm (inform colour RAL9002 or RAL9016)
C20281	Silicone cover for double tray
C10650	Upper tray arm assembly (inform colour RAL9002 or RAL9016)
C11030	Lower tray arm assembly (inform colour RAL9002 or RAL9016)

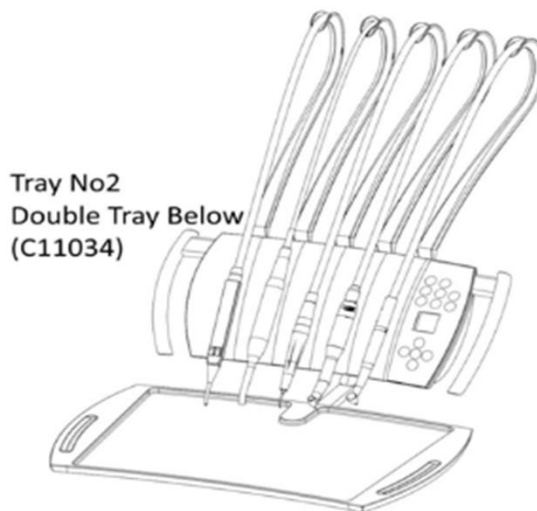


Valid from 1.2 2020

Order No	Name
C10318	Tray N01, Small tray bellow
C11034	Tray N02, Double tray Bellow
C11035	Tray N03, Small tray above
C11036	Tray N04, Double tray above
C10810	Tray N07, Double steel tray instrument arm



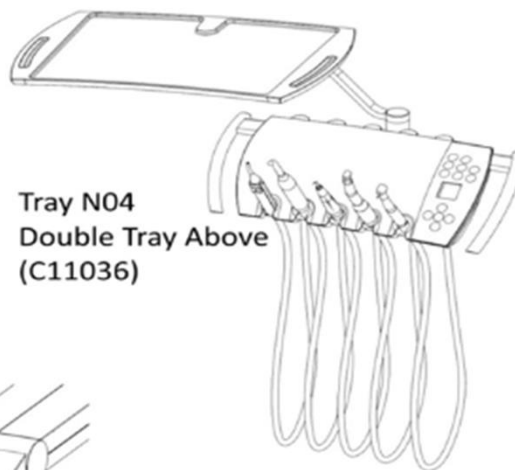
Tray N01
 Small Tray Below
 (C10318)



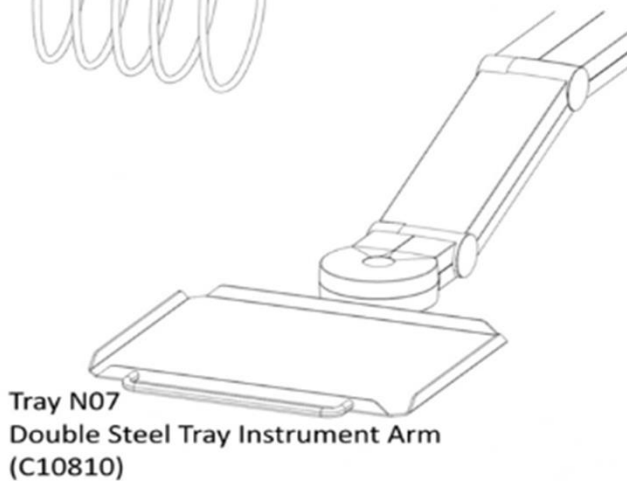
Tray No2
 Double Tray Below
 (C11034)



Tray No3
 Small Tray Above
 (C11035)



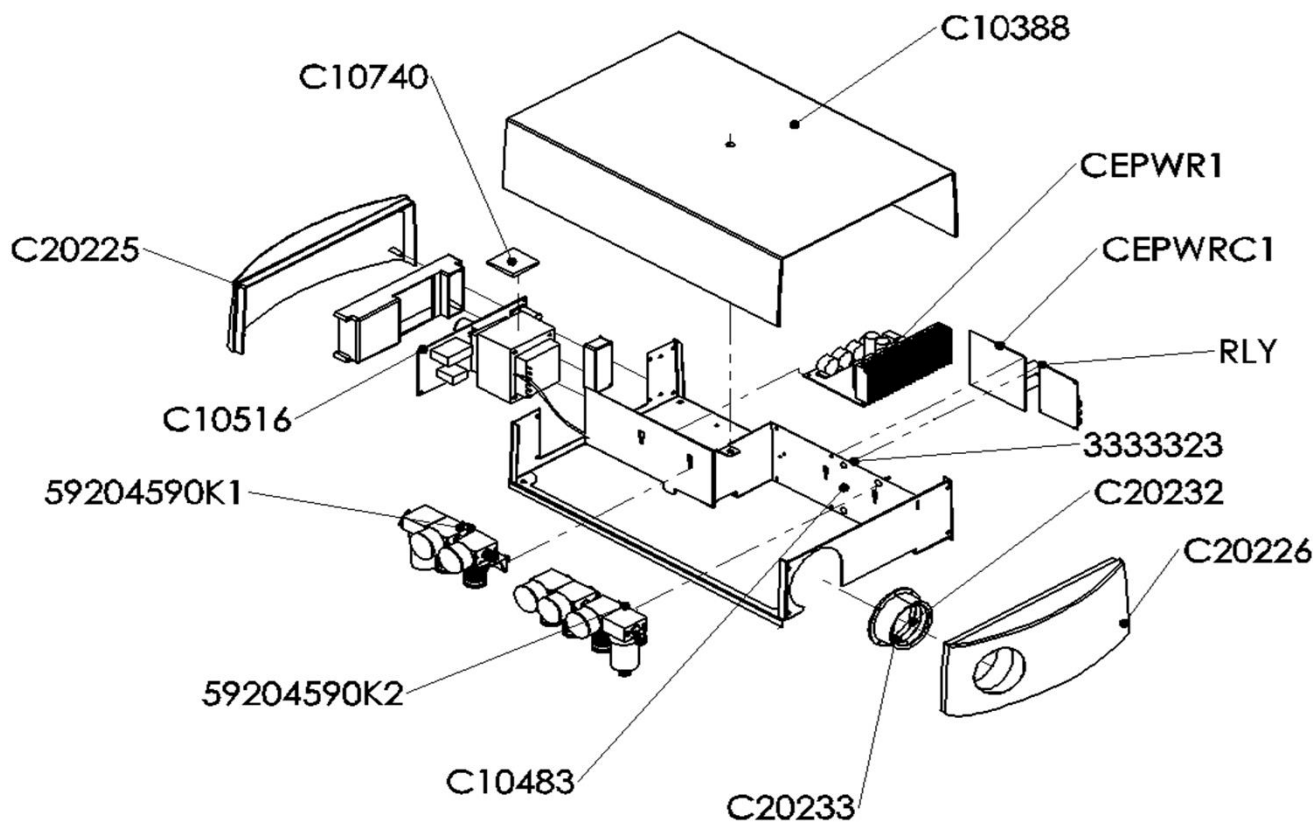
Tray N04
 Double Tray Above
 (C11036)



Tray N07
 Double Steel Tray Instrument Arm
 (C10810)

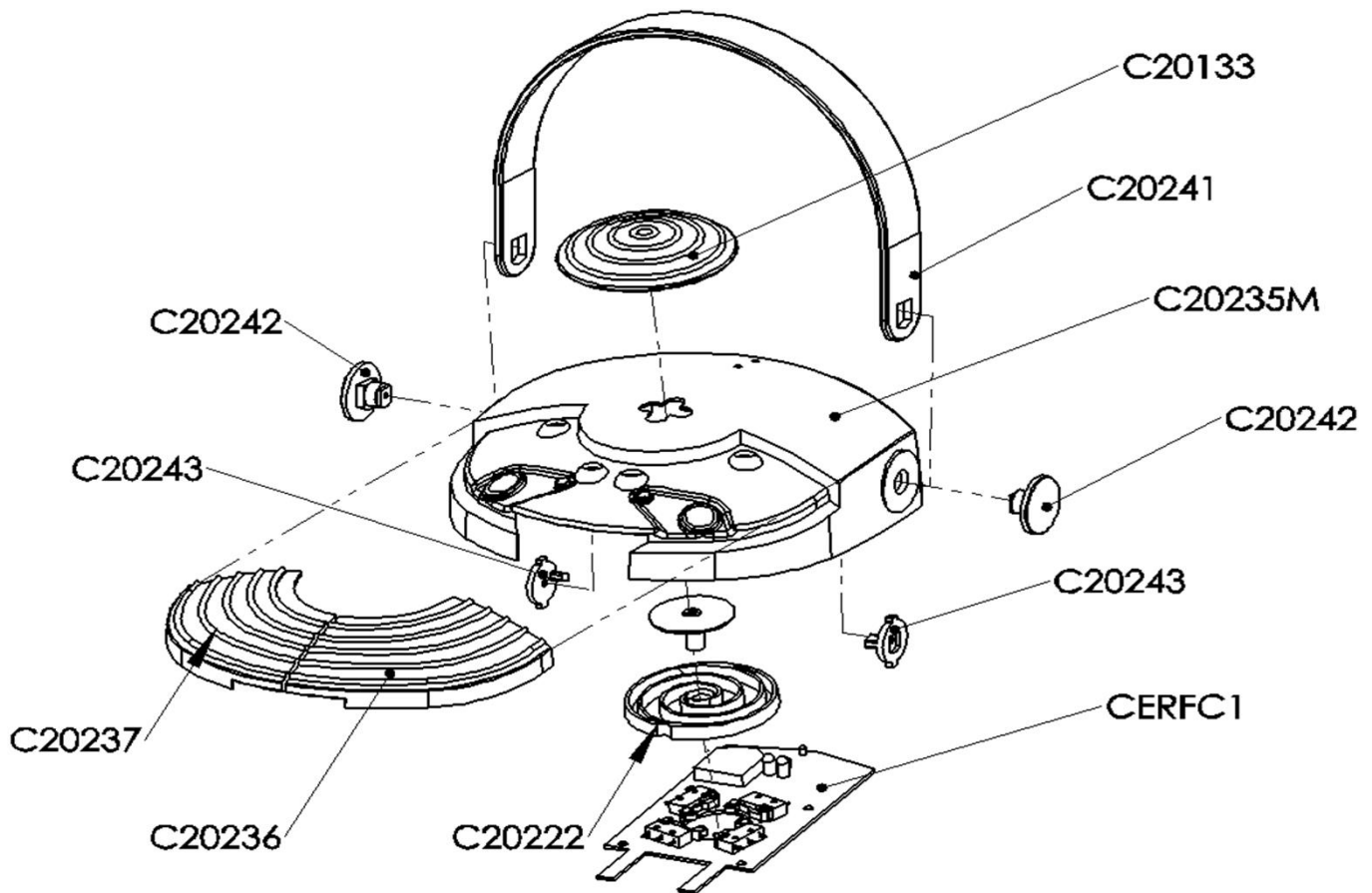
Valid from 1.2 2020

Order No	Name
3333323	PCB holder
59204590K1	Water regulator assembly w. gauges
59204590K2	Air regulator assembly w. Gauges
C10388	Connection box cover
C10483	Connection box body sheet
C10516	Power source, assembly
C20225M	Connection box gable front
C20226M	Connection box gable rear
C20232	Connection box tube holder left
C20233	Connection box tube holder right
CEPWRC1	PWRB - Power Supply B
CEPWRC1	PWRC - Power supply C
CERLY1	RLY - Relay Card



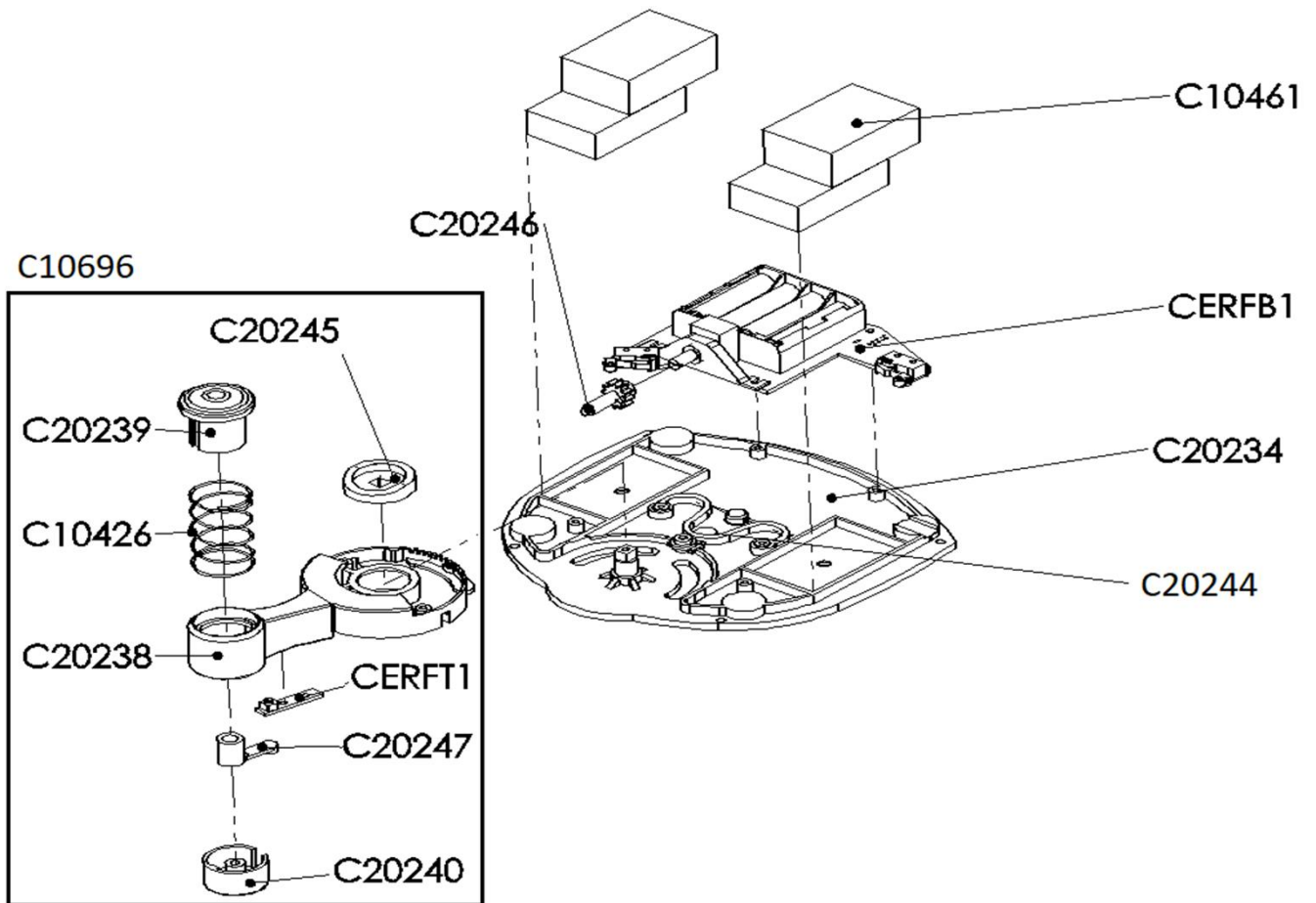
Valid from 1.2 2020

Order No	Name
C10389	Foot control, assembly
C20133	Joystick cap
C20241	Foot control lift handle
C20235M	Foot control top cover
CERFC1	RFC - Radio Foot Controller
C20222	Joystick spring
C20236	Foot control left pedal
C20237	Foot control right pedal
C20243	Foot control lift handle stopper
C20242	Foot control lift handle side plate



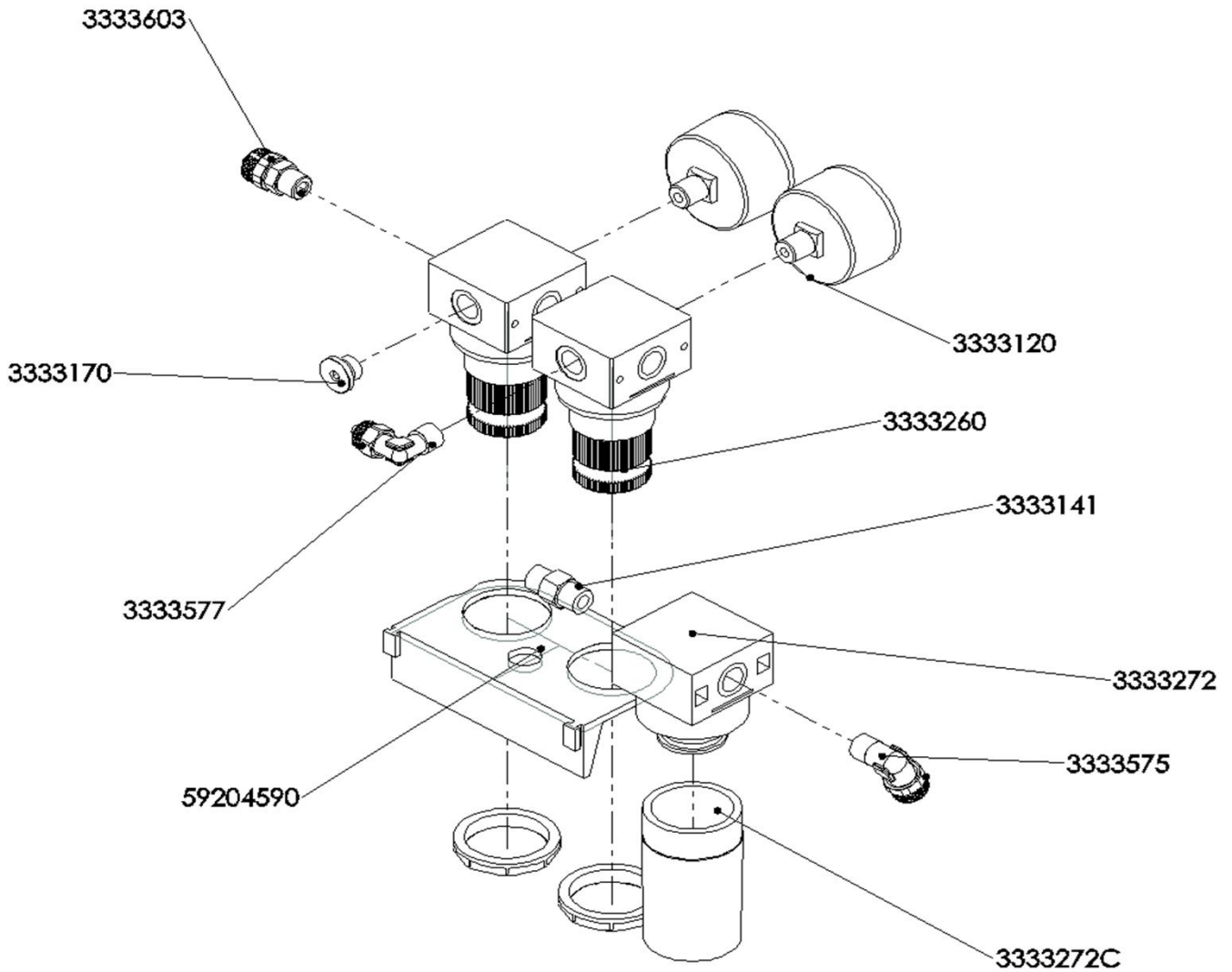
Valid from 1.2 2020

Order No	Name
C10461	Foot control weight, assembly
CERFB1	RFB - Radio Foot Contr. battery PCB
C20234	Foot control bottom
CERFT1	Remote foot control lever buttonPCB
C20247	Foot control button lever
C20240	Foot control button bottom
C20238	Foot control lever
C10426	Foot control lever button spring
C20239	Foot control button
C20245	Foot control lever holder
C20246	Foot control gear
C20244	Foot control centering spring
C10696	Remote foot controller lever, assy



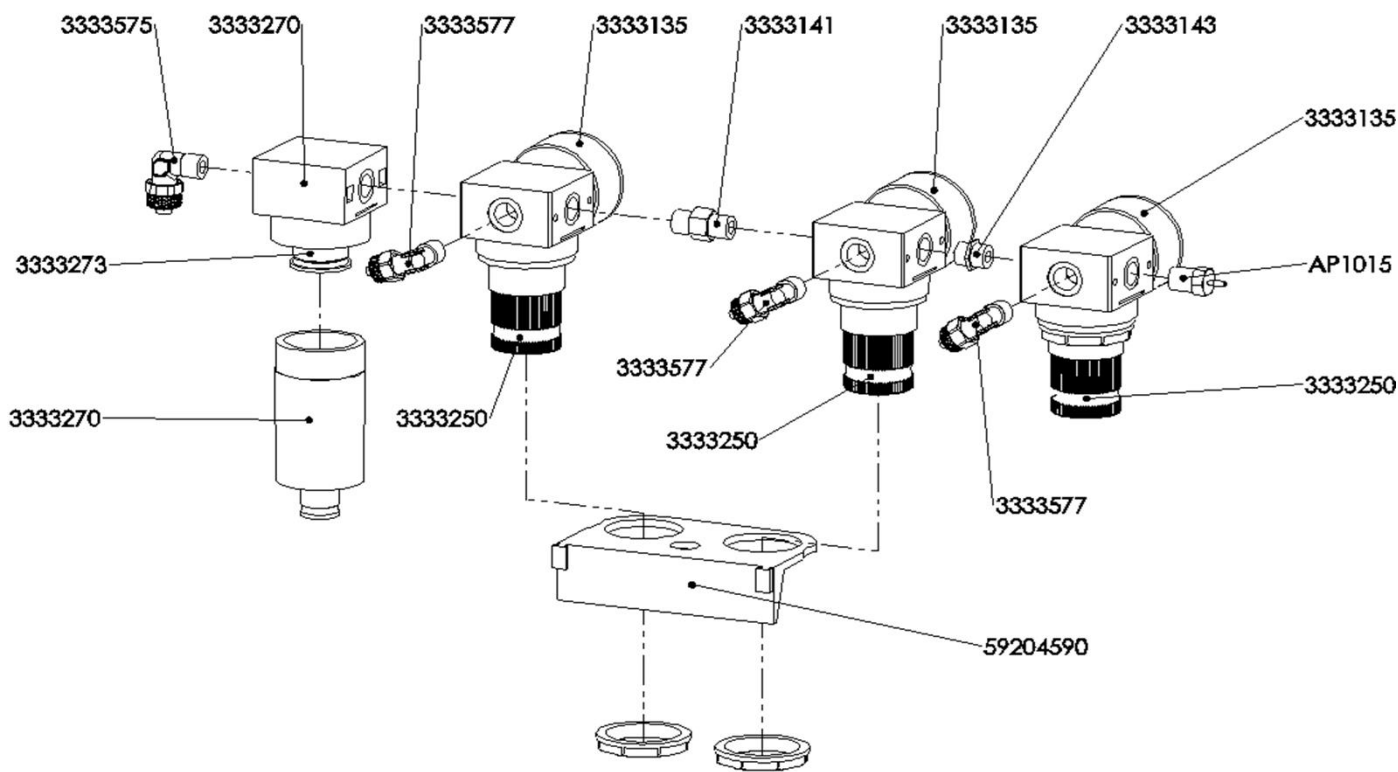
Valid from 1.2 2020

Order No	Name
59204590	Assembly rack for regulators
3333260	Pressure regulator for water
3333141	Nipple av12 length 24mm thread 8 mm
3333272	Water filter
3333120	Pressure gauge 0 - 2,5 bar
3333170	Plug 1/8 inch
3333577	Metal connector angle 6/4-1/8
3333603	Metal connector, straight 8/6-1/8
3333575	Metal connector angle 8/6-1/8



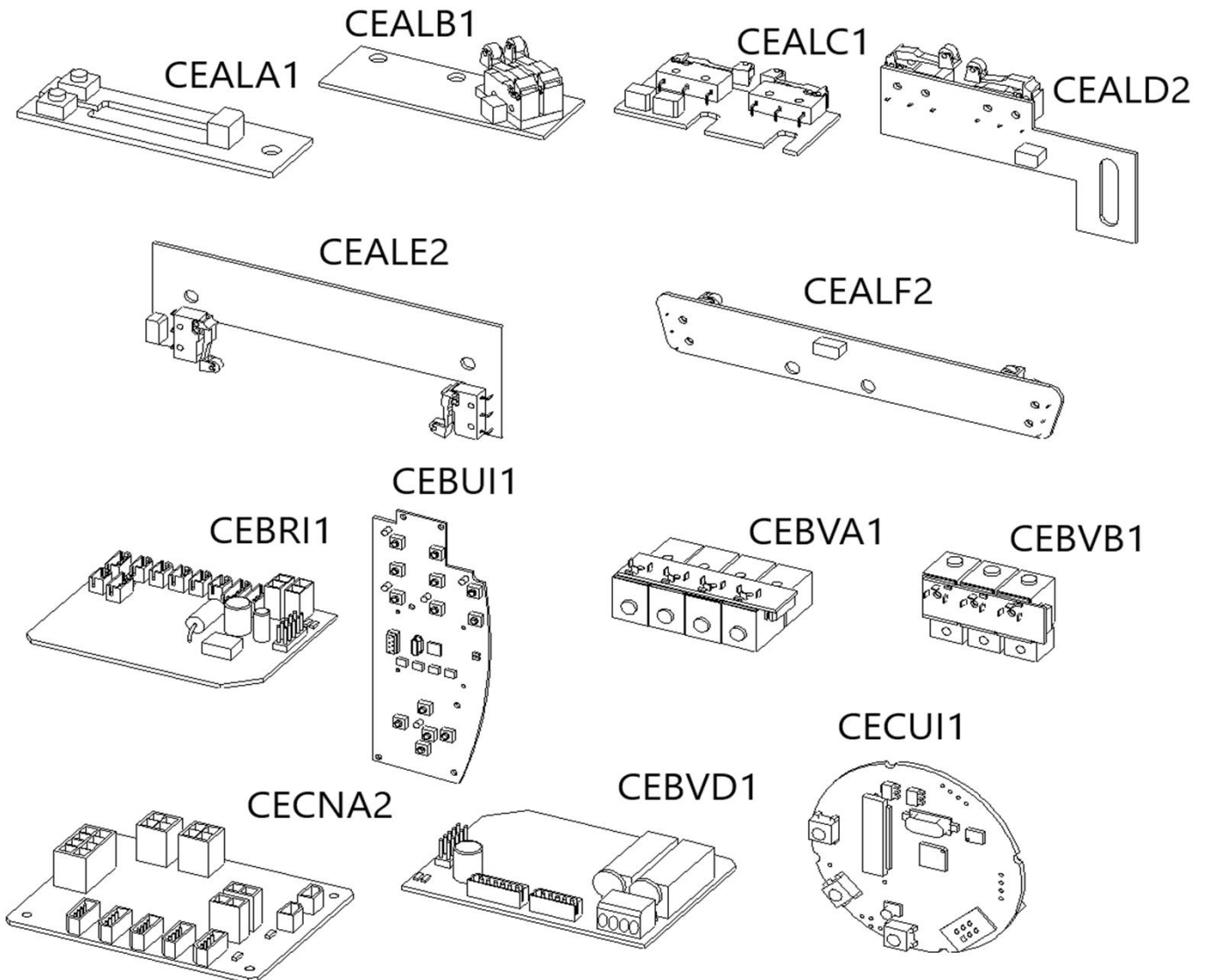
Valid from 1.2 2020

Order No	Name
59204590	Assembly rack for regulators
3333250	Pressure regulator for air
3333141	Nipple av12 length 24mm thread 8 mm
3333270	Air filter
3333143	Nipple AV 12 1/8 length 12mm
3333273	Filter cartridge
AP1015	Plastic joint
3333575	Metal connector angle 8/6-1/8
3333577	Metal connector angle 6/4-1/8
3333135	Pressure meter round 0 - 6 bar



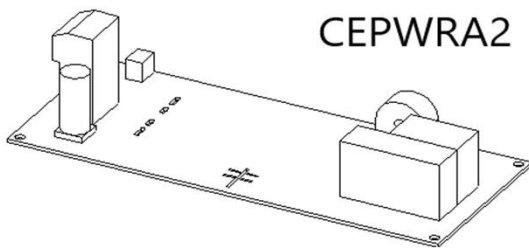
Valid from 1.2 2020

Order No	Name
CEALA1	ALA - Unit bottom safety switch
CEALB1	ALV - Suction arm safety switch
CEALC1	ALC - Chair safety switch
CEALD2	ALD - Back rest safety switch ver 2
CEALE2	ALE - Chair limit switch ver 2
CEALF2	ALF - Back rest limit switch ver 2
CEBRI1	BRI - Instrument Bridge Main Board
CEBUI1	BUI - Bridge User Interface
CEBVA1	BVA - Instr. Bridge Valve A
CEBVB1	BVB - Instr. Bridge Valve B
CEBVD1	BVD - Instr. Bridge Valve Driver
CECNA2	CNA - Chair connector PCB ver 2
CECUI1	CUI - Chair User Interface

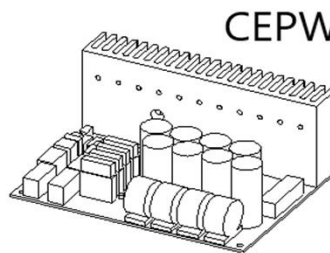


Valid from 1.2 2020

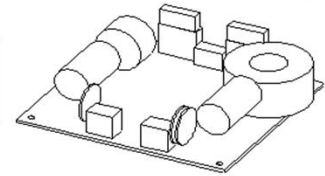
Order No	Name
CEPWRB3	PWRB - Power Supply B ver 3
CEPWRC2	PWRC - Power supply C ver 2
CERFB1	RFB - Radio Foot Contr. battery PCB
CERFC1	RFC - Radio Foot Controller
CERFT1	Remote foot control lever buttonPCB
CERLY1	RLY - Relay Card
CERXC1	RXC - Radio Receiver
CESUI1	SUI - Suction Head User Interface
CEUMB1	UMB - Bien Air Umotor Adapter
CEUMF1	UMF - Micromotor Driver
CEUNT1	UNT - Unit Main Board
CEUNV1	UNV - Unit valves
CEMST1	MST - master PCB



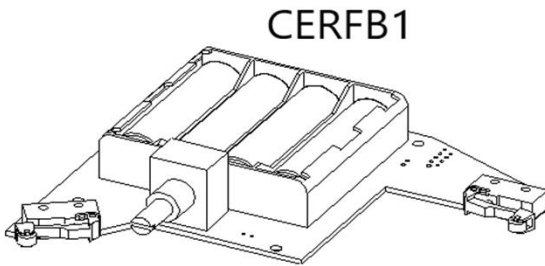
CEPWRA2



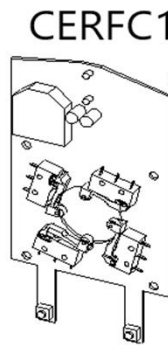
CEPWWRB3



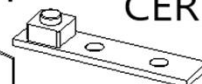
CEPWRC



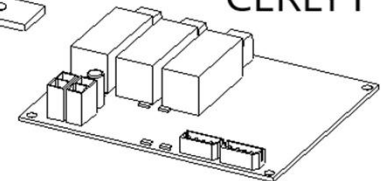
CERFB1



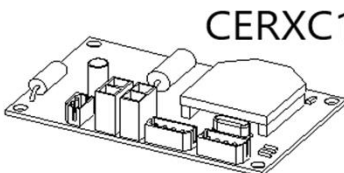
CERFC1



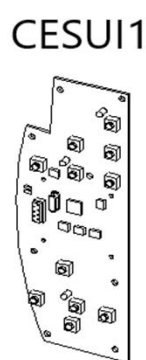
CERFT1



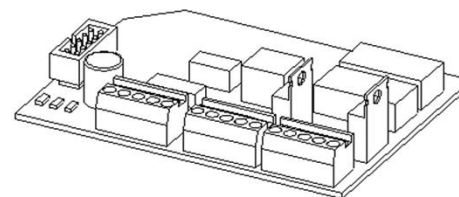
CERLY1



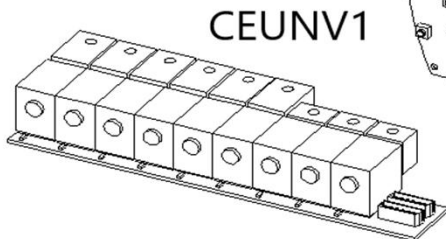
CERXC1



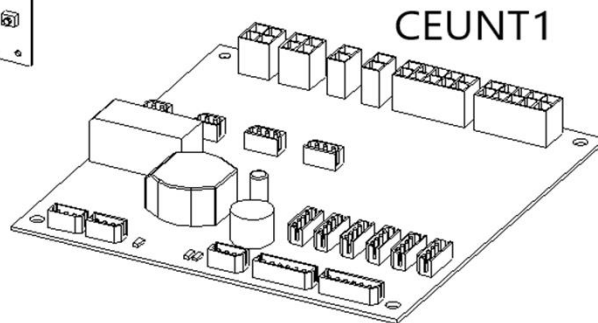
CESUI1



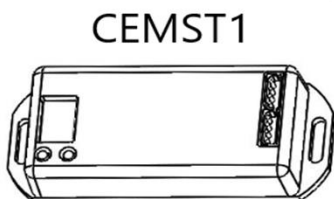
CEUMB1



CEUNV1



CEUNT1



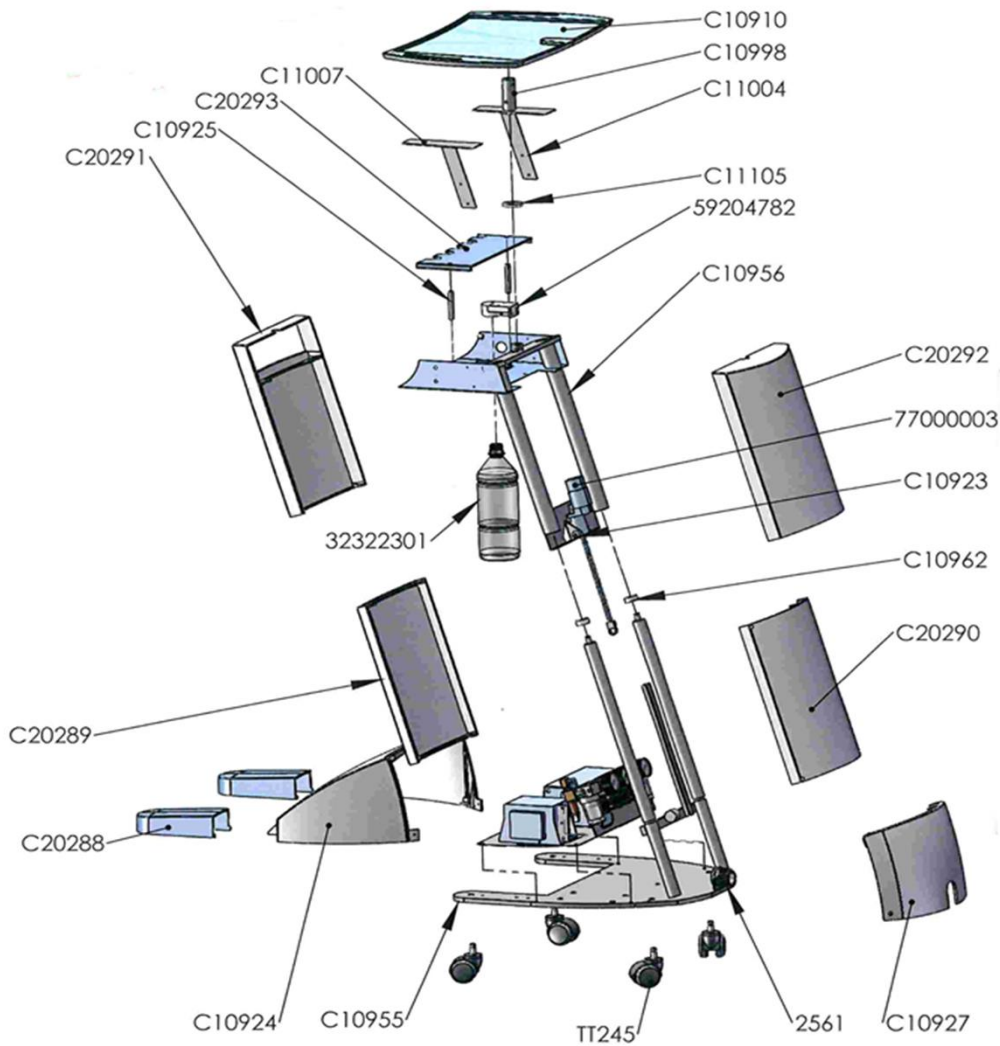
CEMST1

Valid from 1.2 2020

Order No	Name
C20150	Instr. holder, big suction
C20151	Instr. holder, small suction
C20152	Instr. holder, Luzzani syringe
C20153	Instr. holder, camera
C20254	Instr. holder micromotor Kavo 200
C20255	Instr. holder mfor BA MX and Satelec
C20256	Instr. holder turbine

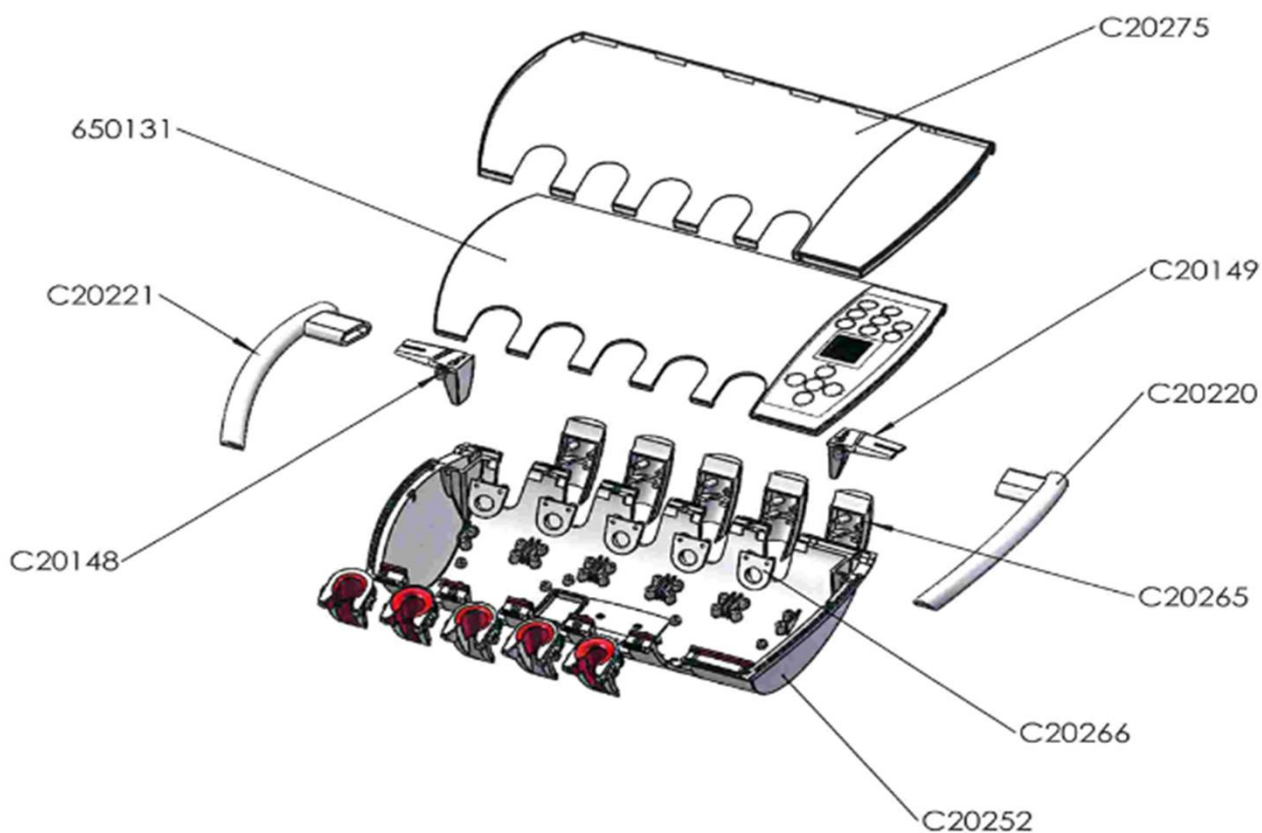
Valid from 1.2 2020

Order No	Name
C10910	Fixed double tray, Neo Cart
C10998	Neo Cart, tray arm axle
C11004	Neo Cart, tray support right
C11007	Neo Cart, tray support left
C11105	Neo Cart tray axle protect. flange
C20293	Neo Cart, upper casing cover
C10925	Neo Cart, top cover fixing tower
59204782	Clean water bottle holder body
C20289	Neo Cart, lower vert. casing front
C20290	Neo Cart, lower vert. casing back
C20291	Neo Cart, upper vert. casing front
C20292	Neo Cart, upper vert. casing back
C10927	Neo Cart back cover
C10924	Neo Cart, lower enclosure
C20288	Neo Cart, front leg cover
C10956	Neo Cart upper body
C10923	Neo Cart, motor attachment bushing
C10962	Neo Cart, slide bushing
C10955	Neo Cart lower body
2561	Cart unit hose connector
TT245	Wheel for stool with axel 11 mm
77000003	NEO Cart liftmotor
32322301	Clean water bottle, 1 liter



Valid from 1.2 2020

Order No	Name
C20275	Instr. bridge silicone cover, hang
650131	Neo instr. bridge top assy, hanging
C20148	Handle, attachment part left
C20149	Handle, attachment part right
C20220	Handle outer right
C20221	Handle outer left
C20265	Hanging hose attachment cover
C20266	Hanging hose attachment fastener
C20252	Instr.head bottom hanging hoses



Valid from 1.2 2020

Order No	Name
NEOSERVICESET2	Neo service set, Maintenance kit
	2 x 76700006V Magnetic valve body Sirai 2-way NC
	1 x 76700010V Sirai valve 2-way (V265) NO
	1 x 3333273 Filter cartridge
	2 x AP1601 Check Valve 1/8ID x 1/8ID
	1 x PINN2000 Additional bowl filter Neo
	1 x 3333943 PUR tube for clean water bottle
	1 x 3333100K1 Clippard 2-way valve assembled for water
	3 x C11370 Selective valve with filter joint
	1 x PULLO002 Exhaust oil bottle
	1 x 32322301 Clean water bottle, 1 liter



Valid from 1.2 2020

Order No	Name
ME110	Metasys amalgam separator MST1
ME100	Metasys without centrif. ECO
KVK-200	Electric motor K200F lux
SA100	Satelec scaler, no lux, complete
SA165	Satelec scaler pcb, no lux
SA181	Handpiece Satelec, no lux
SA180	Hose for Satelec scaler, no lux
SA120	Scaler Satelec LUX
SA182	Handpiece Satelec LUX
SA184	PCB for Satelec LUX
SA121	Satelec Newtron Led scaler
SA121HP	Handpiece for NewtronLED
SA121PCB	PCB for NewtronLED
SA501	Satelec Mini LED OEM
NS500	NSK NBX Led micromotor + Hose
NS500HOSE	NSK NBX Led Hose
NS505	NSK NLX Nano micromotor Set
NS505HOSE	NSK NLX Nano Hose
NS505HP	NSK NLX Nano Micromotor
NS505PCB	NSK NLX Nano PCB
NS281	NSK varios 170 lux
NS281HP	NSK Handpiece Varios 170lux
NS281PCB	NSK PCB for Varios 170lux
NS281POT	NSK varios 170 lux Potentiometer
EM110	EMS Scaler hand piece
EM111	EMS hose
EM130	EMS PC-Board EJ-021
EM120	EMS Scaler complete LED, No Pain
EM121	Cord for EMS Led Scaler, No Pain
EM122	Piezon Module EMS Led Scaler, No Pain
BA352	Electric motor MC3 LED
BA465SET	Set DMX2 Pro
BA465	Electric board DMX2
BA460	Hose for MX2 motor Hose MX2
BA360	Electric motor MX2 brushless LED micromotor
3337004	Monitor Neovo 22
SOPRO300	Sopro 617 Camera+Box
SOPRO310	Sopro 617 handpiece
SOPRO330	Sopro 617 dock video
SOPRO101B	Linking cable (2,5 m)
FARO205	Faro ALYA LED operating light
FARO20016	Switch holder assembly, Grey 1st version
FARO20017	Switch holder assembly, White 2nd version
FARO20017-3	Switch holder assembly, White 3rd version
FARO20018	Kit for Faro Alya handels, right and left, grey
FARO20019	Kit for Faro Alya handels, rv2 White
FARO20020	Led assembly ALYA 2 White, rv2
FARO20021	Fan circuit assy
FARO20022	Alya Joystic PCB
FARO20023	Faro Alya handels, rv2 White
FARO20024	Caps and cover set ALYA 2
FARO20025	FARO Alya Reflectors 2pcs
FARO20026	FARO Alya Screen
FARO20027	Alya Screen Mirror
SIE700	Vision Polaris LED light, 140cm arm
SIE700HEAD	Polaris LED Head
SIE280STARM	VISION ARM standard length
LZ106 / LZ105	3-way syringe luzzani INOX straight / angled
LZ115 / LZ145	6-way syringe luzzani INOX straight / angled
FO110 / FO120	3-way syringe Forest straight / angled
DC110 / DC100	DCI syringe straight / angled
	Metasys MST1 after installation kit NEO
	Metasys ECO after installation kit NEO
	Wet line system with bowl valve NEO